

SR860/ SR850 (B469/ B468)

This parts catalog is includes MB No. 1 to 33

SR860/ SR850 (B469/ B468)

PARTS CATALOG

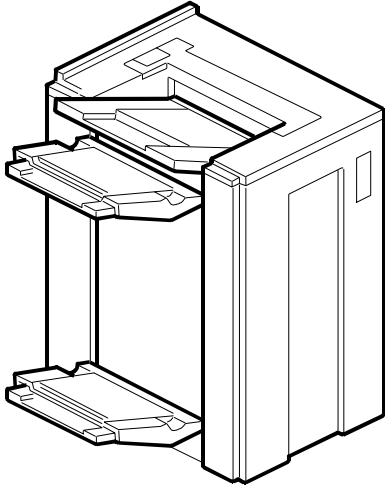
This catalog gives the numbers and names of parts on this machine.

LOCATION OF UNIT	2	17.DRIVE SECTION 1 (B468/B469)	38
1.EXTERIOR (B468/B469).....	6	18.DRIVE SECTION 2 (B468/B469)	40
2.PAPER TRANSFER (B468/B469)	8	19.ELECTRICAL SECTION (B468/B469)	42
3.SHIFT TRANSFER SECTION 1 (B468/B469)	10	20.FRAME SECTION (B468/B469).....	44
4.SHIFT TRANSFER SECTION 2 (B468/B469)	12	21.MAIN CONTROL BOARD (B468)	46
5.SHIFT TRANSFER SECTION 3 (B468/B469)	14	22.MAIN CONTROL BOARD (B469)	52
6.STAPLE TRANSFER SECTION 1 (B468/B469). 16		23.DECAL AND DOCUMENTS (B468/B469)	58
7.STAPLE TRANSFER SECTION 2 (B468/B469). 18		PARTS INDEX.....	61
8.STAPLE TRAY 1 (B468/B469).....	20		
9.STAPLE TRAY 2 (B468/B469).....	22		
10.STAPLE TRAY 3 (B468/B469).....	24		
11.STAPLE TRAY 4 (B468/B469).....	26		
12.PAPER CRIMP SECTION 1 (B468/B469)	28		
13.PAPER CRIMP SECTION 2 (B468/B469)	30		
14.UPPER PAPER EXIT (B468/B469)	32		
15.LOWER PAPER EXIT 1 (B468/B469).....	34		
16.LOWER PAPER EXIT 2 (B468/B469).....	36		

June 10 ' 2002

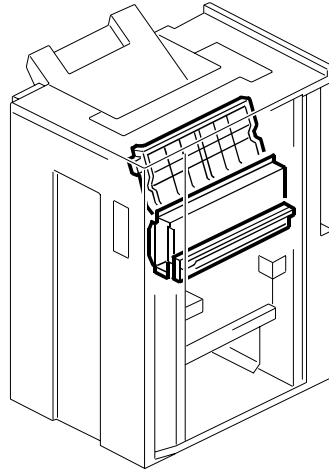
LOCATIONS OF UNITS

1. EXTERIOR (B468/B469)



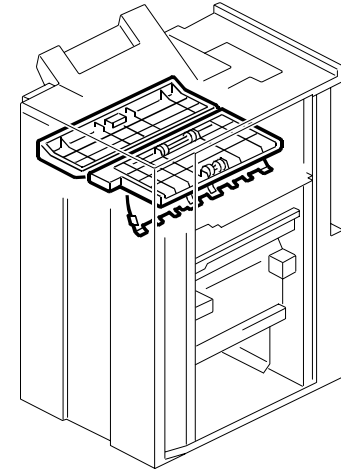
See Page 7

2. PAPER TRANSFER (B468/B469)



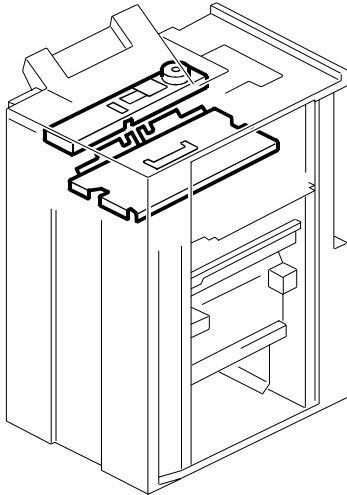
See Page 9

3. SHIFT TRANSFER SECTION 1 (B468/B469)



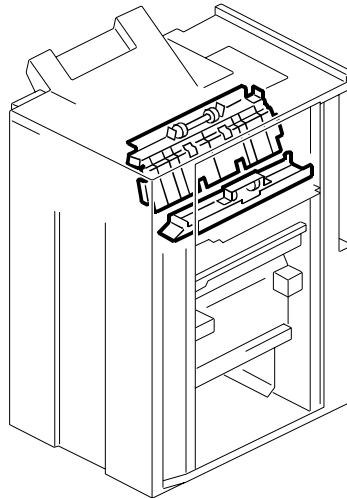
See Page 11

4. SHIFT TRANSFER SECTION 2 (B468/B469)



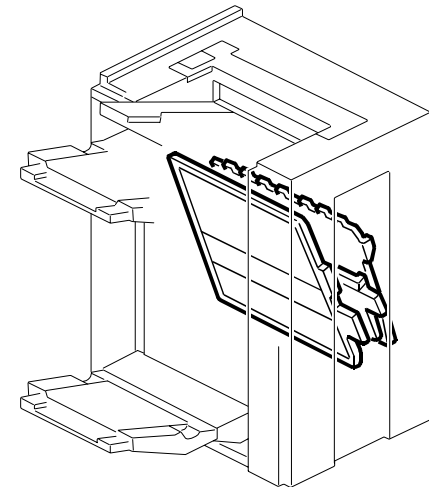
See Page 13

5. SHIFT TRANSFER SECTION 3 (B468/B469)



See Page 15

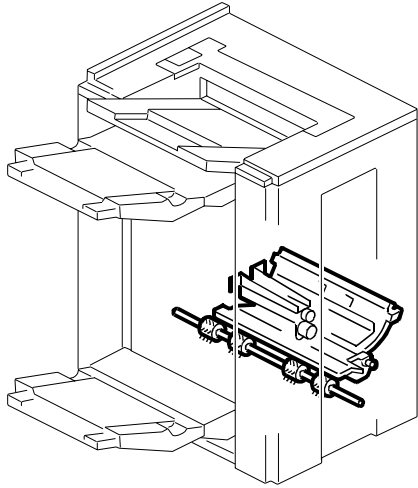
6. STAPLE TRANSFER SECTION 1 (B468/B469)



See Page 17

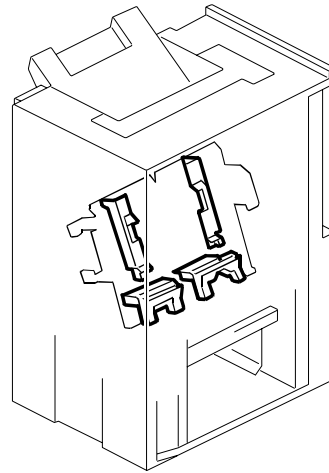
LOCATIONS OF UNITS

7. STAPLE TRANSFER SECTION 2 (B468/B469)



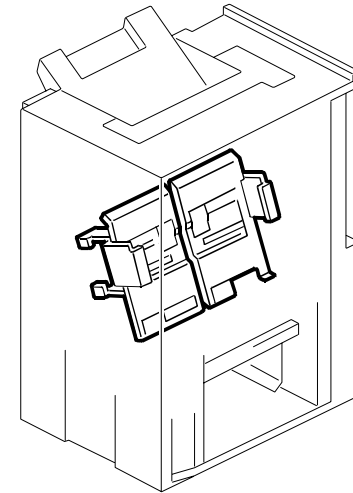
See Page 19

8. STAPLE TRAY 1 (B468/B469)



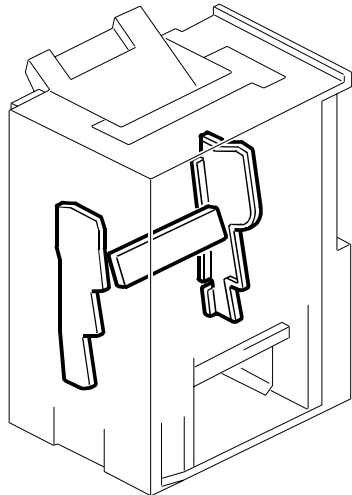
See Page 21

9. STAPLE TRAY 2 (B468/B469)



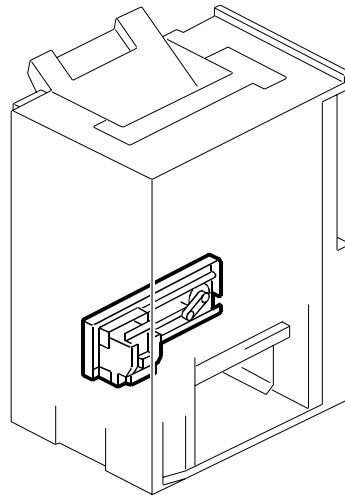
See Page 23

10. STAPLE TRAY 3 (B468/B469)



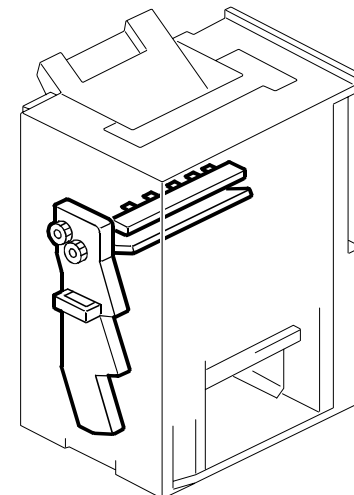
See Page 25

11. STAPLE TRAY 4 (B468/B469)



See Page 27

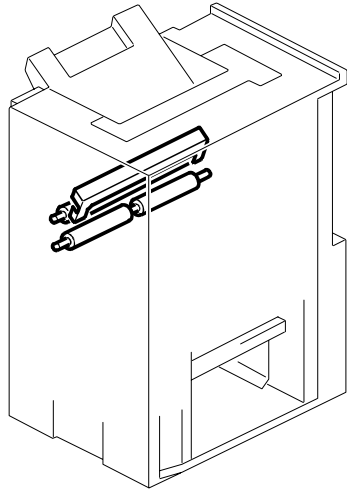
12. PAPER CRIMP SECTION 1 (G468/B469)



See Page 29

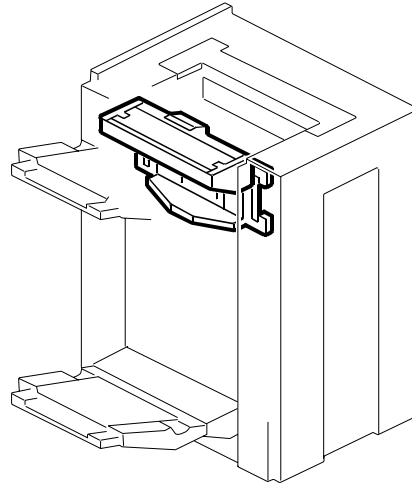
LOCATIONS OF UNITS

13. PAPER CRIMP SECTION 2 (G468/B469)



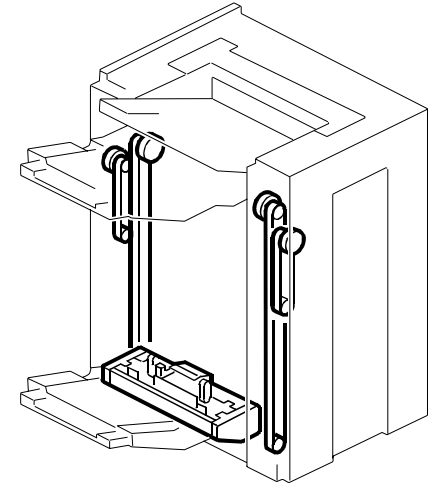
See Page 31

14. UPPER PAPER EXIT (B468/B469)



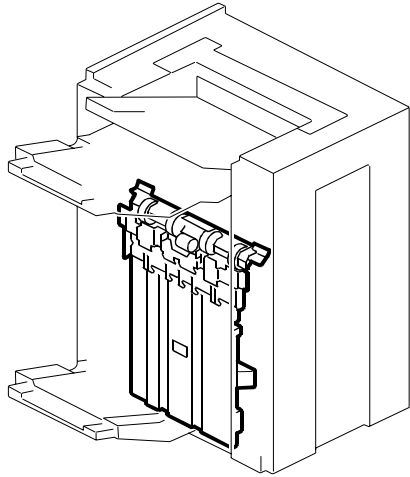
See Page 33

15. LOWER PAPER EXIT 1 (B468/B469)



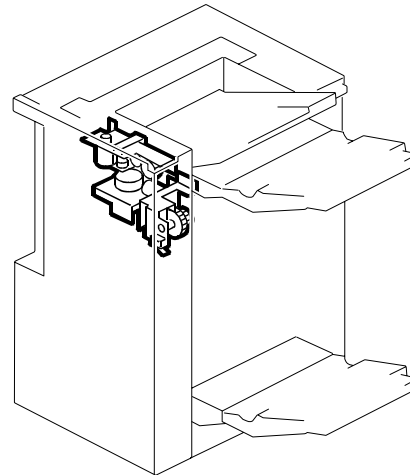
See Page 35

16. LOWER PAPER EXIT 2 (B468/B469)



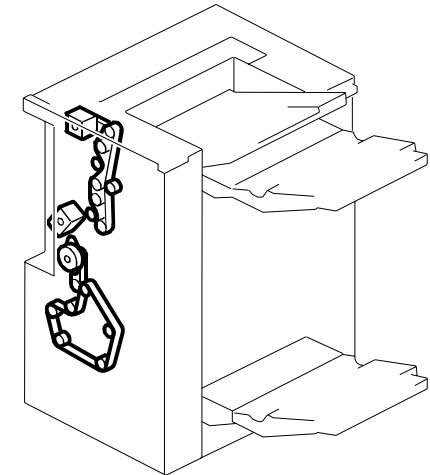
See Page 37

17. DRIVE SECTION 1 (B468/B469)



See Page 39

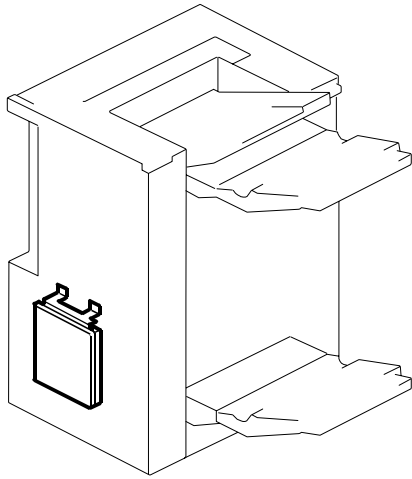
18. DRIVE SECTION 2 (B468/B469)



See Page 41

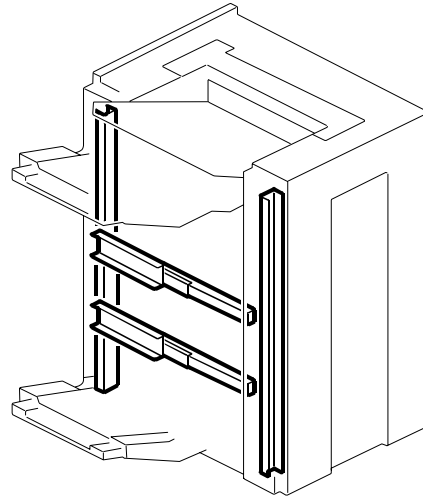
LOCATIONS OF UNITS

19. ELECTRICAL SECTION (B468/B469)



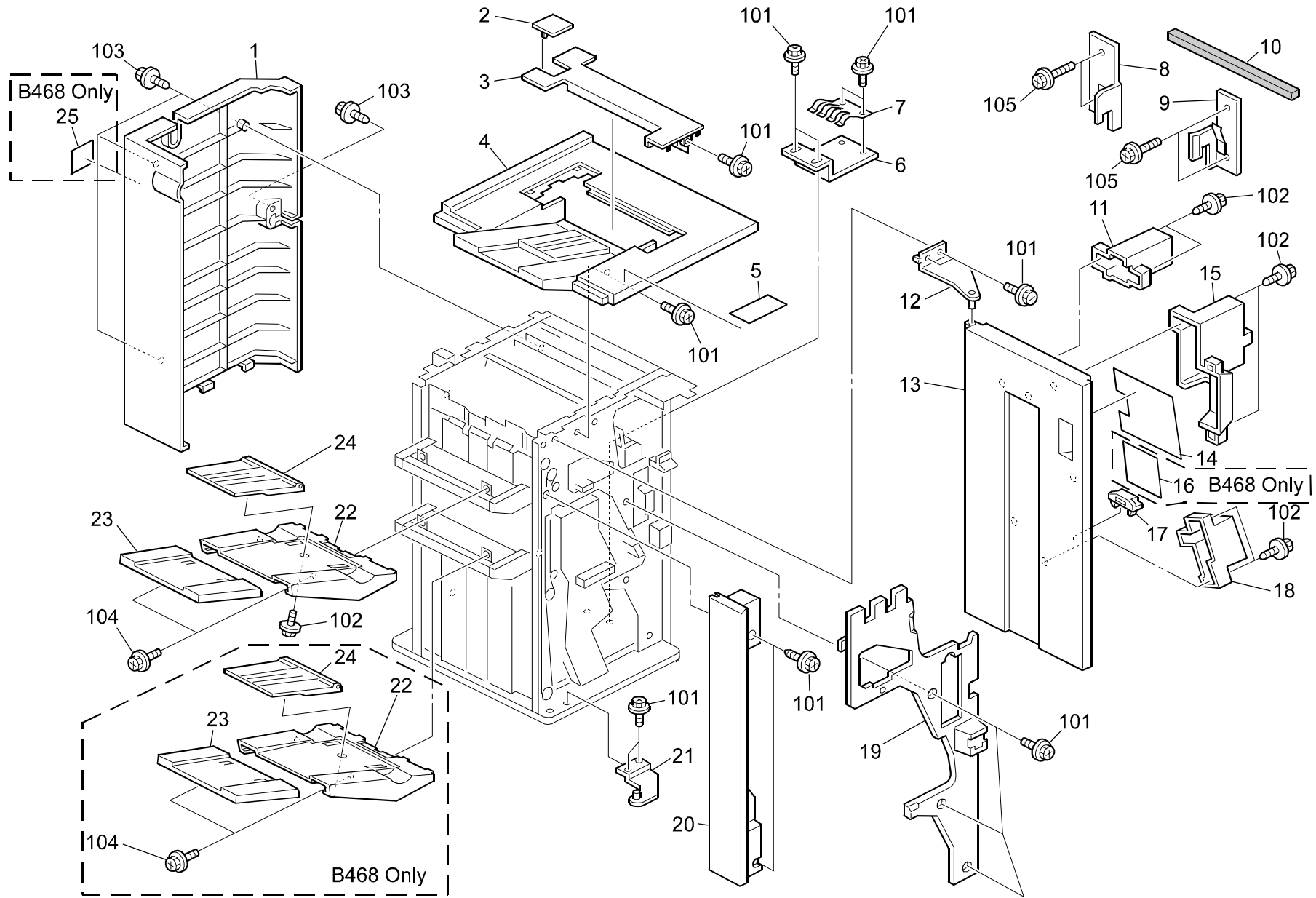
See Page 43

20. FRAME SECTION (B468/B469)



See Page 45

1.EXTERIOR (B468/B469)

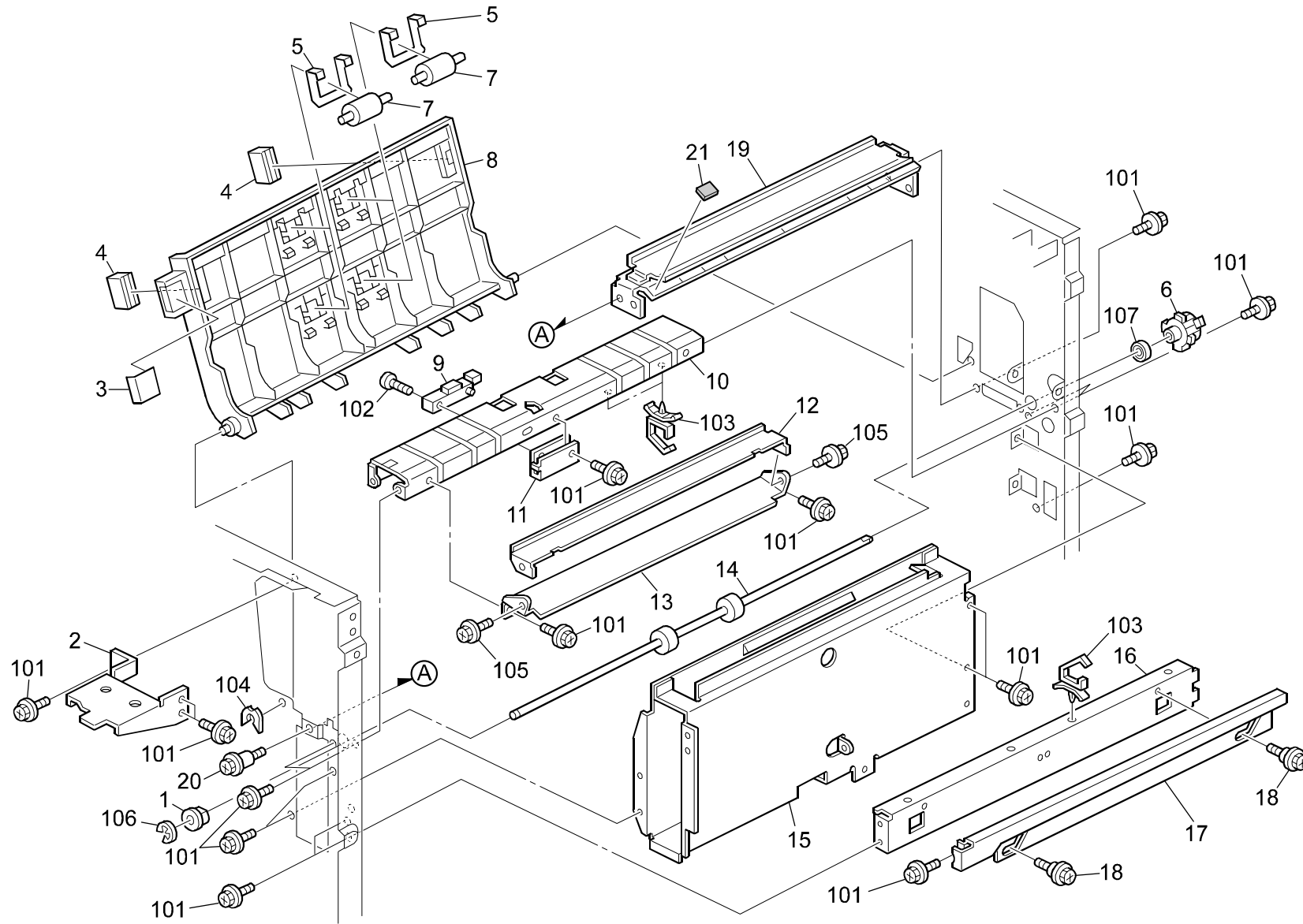


1.EXTERIOR (B468/B469)

Index No.	Part No.	Description	Q'ty Per Assembly
1	B468 1631	Rear Cover (B468)	1
1	B469 1631	Rear Cover (B469)	1
2	B468 1618	Connector Cover	1
3	B468 1616	Small Upper Cover	1
4	B468 1611	Upper Cover	1
5	B468 7812	Caution Decal - Tray Fall	1
6	B302 1164	Grounding Plate Bracket	1
7	B302 1163	Grounding Plate	1
8	A697 1144	Rear Joint Bracket	1
9	A697 1153	Front Joint Bracket	1
10	B468 6511	Spacer Cushion - 20mm	1
11	B468 1628	Upper Stopper	1
	B468 1623	X/X MB7	
12	B468 1711	Upper Hinge	1
13	B468 1625	Front Cover	1
	B468 1621	O/O MB31	
14	B468 7806	Decal - Misfeed Removal (B468)	1
14	B469 7808	Decal - Misfeed Removal (B469)	1
15	B468 1629	Front Cover Grip	1
	B468 1627	O/O MB31	
	B468 1622	X/X MB7	
16	B468 7807	Decal - Staple Exchange	1
17	G020 2630	Magnetic Catch	1
18	B468 1626	Stopper - Door Lower	1
19	B468 1681	Inner Cover	1
20	B468 1651	Left Front Cover	1
21	B468 1721	Lower Hinge	1
22	B468 3211	Shift Tray	2
23	B468 3218	Slide Tray	2
24	B468 3215	Support Tray	2
25	B468 7813	Decal - Tray Rise	1

Index No.	Part No.	Description	Q'ty Per Assembly
101	0451 3006B	Tapping Screw - M3x6	
102	0450 3008B	Tapping Screw - M3x8	
103	0451 3008H	Tapping Screw - M3x8	
104	0451 4008H	Tapping Screw - 4x8	
105	0451 4014B	Tapping Screw - M4x14	

2.PAPER TRANSFER (B468/B469)

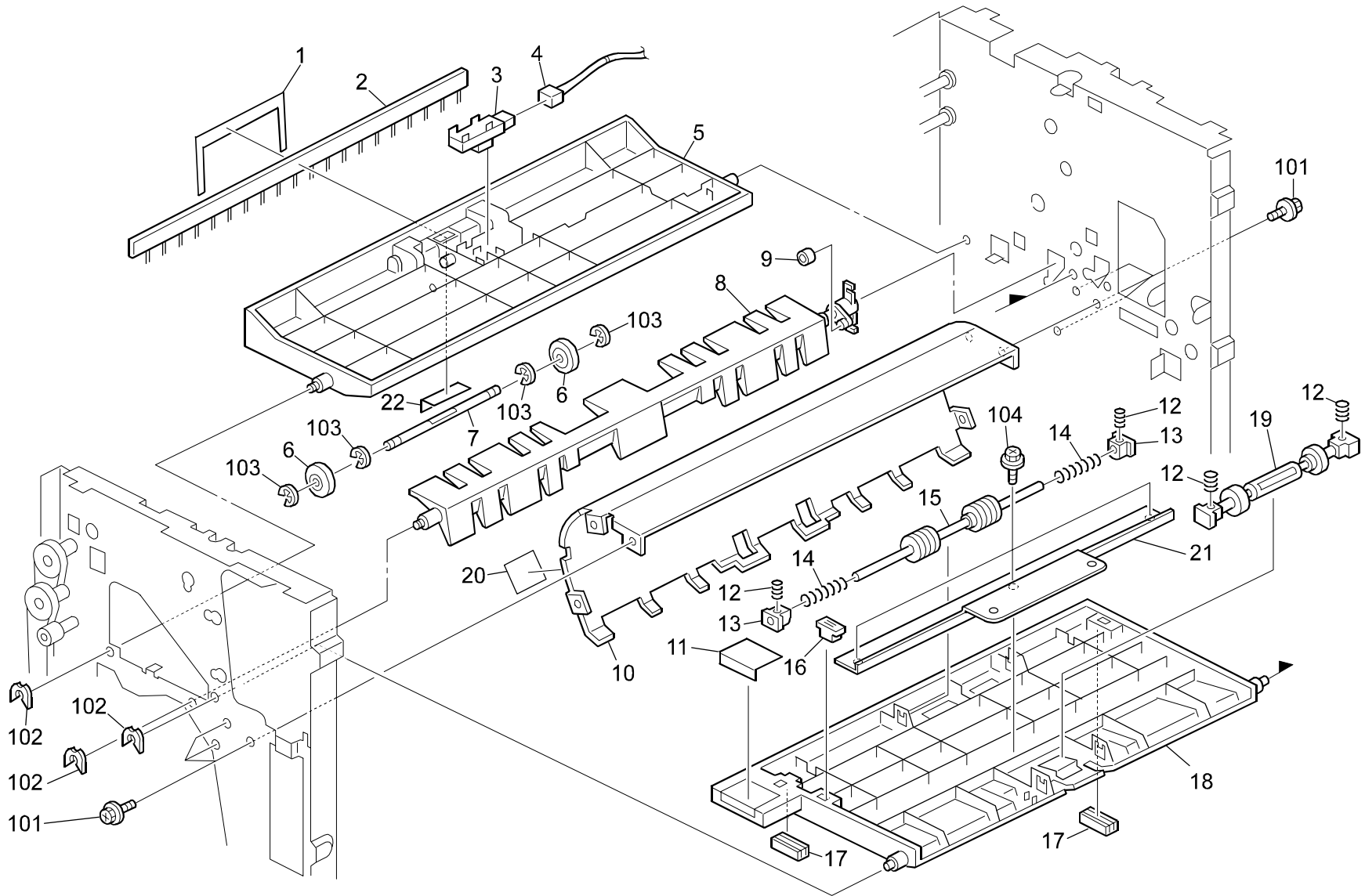


2.PAPER TRANSFER (B468/B469)

Index No.	Part No.	Description	Q'ty Per Assembly
1	5053 0447	Bushing - 6mm	1
2	B468 1612	Angle - Upper Cover	1
3	B302 7702	Decal - R2	1
4	AG07 0014	Magnet Catch	2
5	A859 3425	Spring Plate	4
6	B468 2255	Timing Pulley - T20	1
7	A859 3420	Middle Driven Roller	4
8	B468 2153	Upper Guide Plate	1
	B468 2152	X/X MB7	
9	AW01 0089	Photosensor - GP2A28C	1
10	A697 2150	Lower Entrance Guide	1
11	A697 2145	Entrance Sensor Bracket	1
12	B468 2196	Upper Guide Plate	1
13	B408 2191	Guide Plate - Connecting Lower	1
14	B352 2610	Shift Transport Roller	1
15	A697 1151	Hopper Bracket	1
16	B408 1413	Coupling Stay	1
17	A697 1128	Joint Lever	1
	A697 1127	X/O MB26	
18	A697 1125	Stepped Screw - Lever	2
19	B352 2500	Support Guide - Punch Unit	1
20	B352 7507	Punch Screw	1
21	B468 2122	Cushion ^ Gate Pawl	1

Index No.	Part No.	Description	Q'ty Per Assembly
101	0451 3006B	Tapping Screw - M3x6	
102	0313 0100B	Philips Pan Head Screw - M3x10	
103	1105 0511	Harness Clamp - LWS-0306ZC	
104	0805 0089	Retaining Ring - M4	
105	0802 5276	Tapping Screw With Washer - M3x6	
106	0720 0040B	Retaining Ring - M4	
107	0741 3506	Ball Bearing - 6x12x4 Mm	

3.SHIFT TRANSFER SECTION 1 (B468/B469)

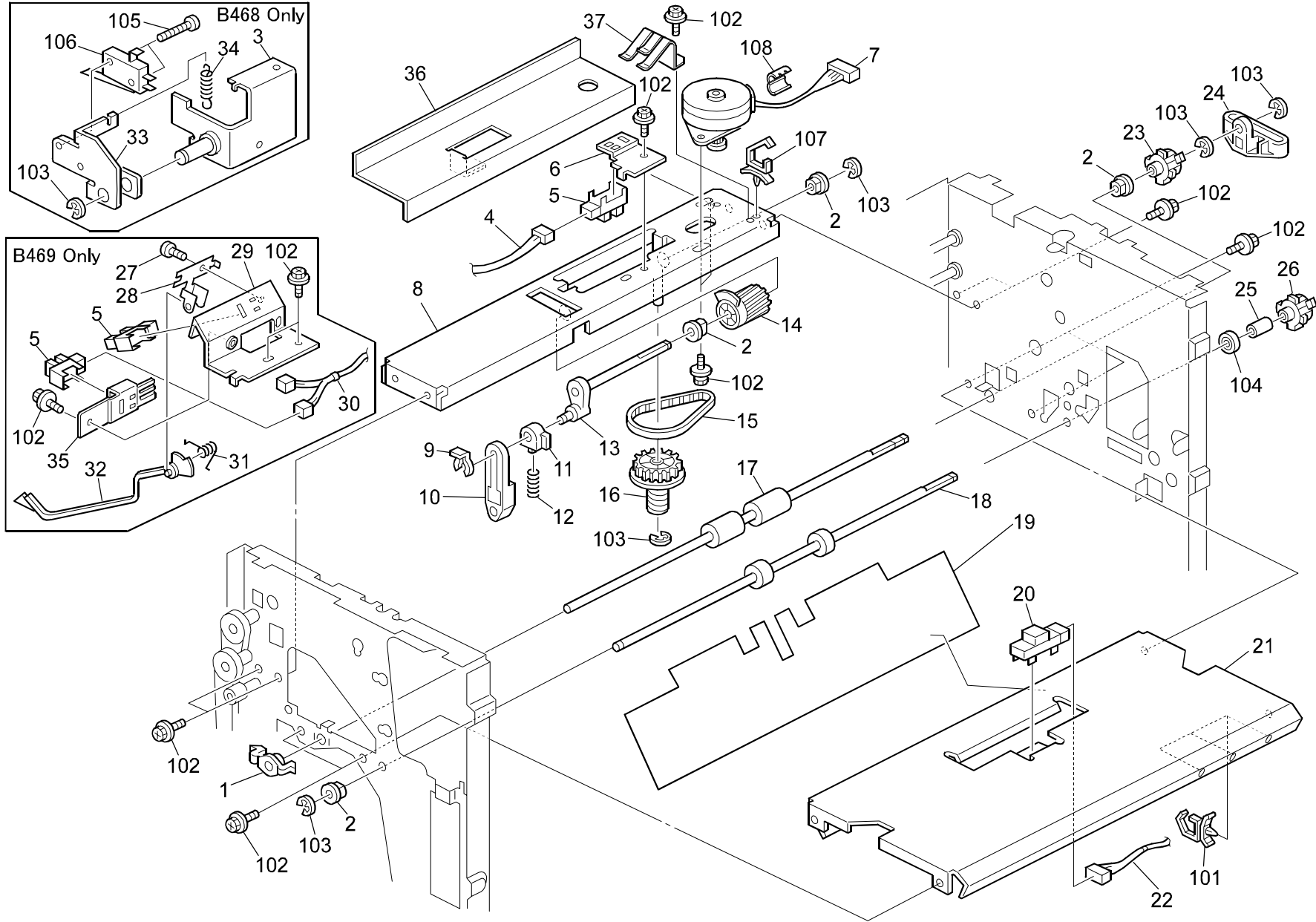


3.SHIFT TRANSFER SECTION 1 (B468/B469)

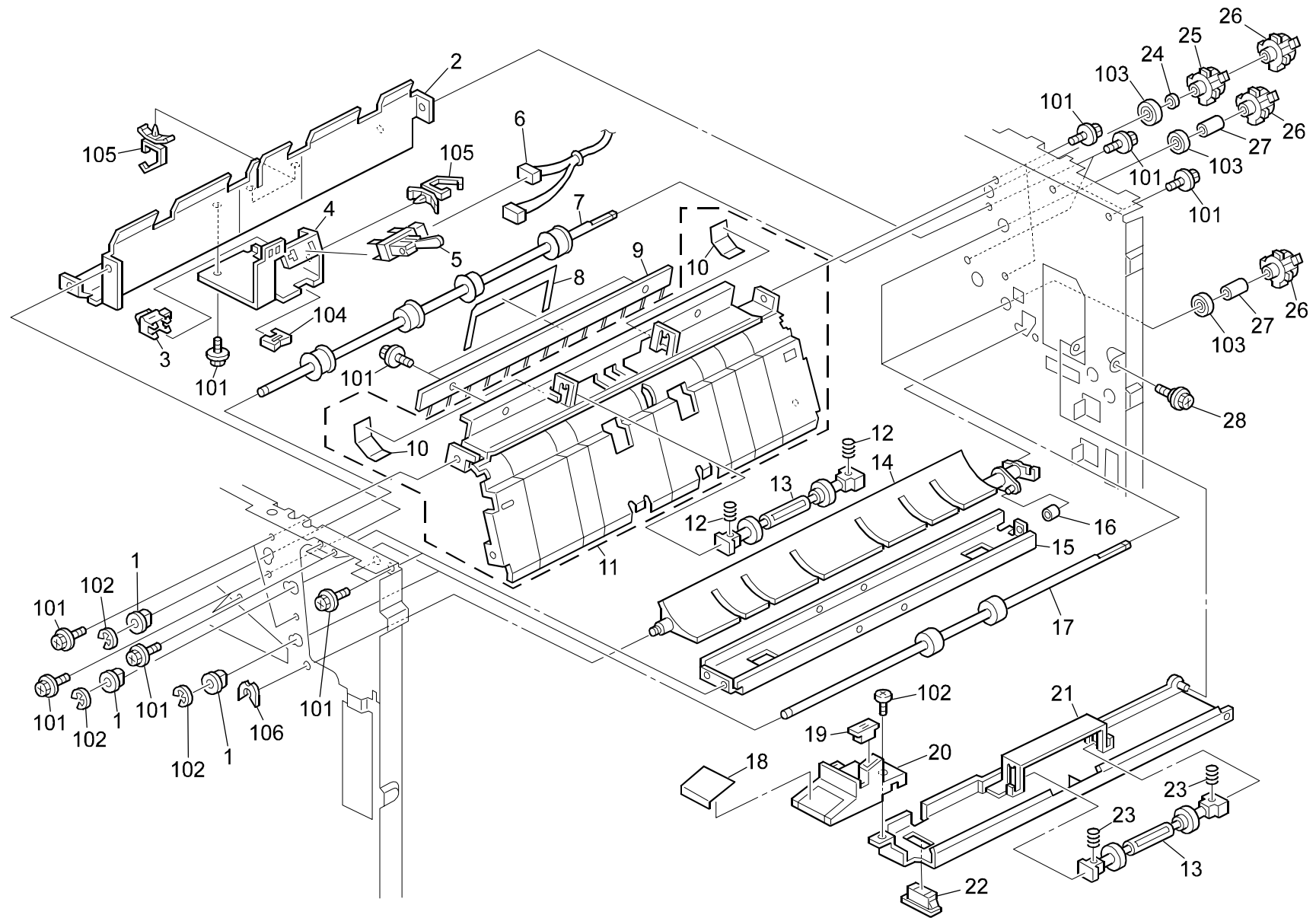
Index No.	Part No.	Description	Q'ty Per Assembly
1	B468 2816	Exit Mylar	1
2	B468 2815	Discharge Brush	1
3	AW01 0057	Pegistration Sensor	1
4	B468 5522	Exit Harness	1
	B468 5422	X/O MB20	
5	B468 2811	Exit Guide Plate	1
6	B468 2832	Driven Exit Roller	2
7	B468 2831	Driven Shaft - Exit Roller	1
8	B468 2721	Lower Gate Pawl	1
9	A458 2251	Cushion - Bin Solenoid Lever	1
10	B468 2120	Lower Guide Plate	1
	B468 2116	X/O MB25	
11	B302 7703	Decal - R3	1
12	AA06 3529	Pressure Spring - 14.5mm	4
13	B408 2175	Bushing - Roller Slide	2
14	B408 2174	Spring	2
15	B408 2173	Slide Roller	1
16	G012 1531	Magnet	1
17	AG07 0014	Magnet Catch	2
18	B468 2174	Guide Plate	1
	B468 2172	X/X MB18	
19	AF02 2147	Driven Roller	1
20	B468 2117	Cushion - Gate Pawl	1
21	B468 2175	Supporting Plate MB18 ADDED	1
22	B468 2835	Mylar - Exit Roller Shaft MB19 ADDED	1

Index No.	Part No.	Description	Q'ty Per Assembly
101	0451 3006B	Tapping Screw - M3x6	
102	0805 0089	Retaining Ring - M4	
103	0720 0040B	Retaining Ring - M4	
104	0450 4008B	Tapping Screw - 4X8 MB18 ADDED	

4.SHIFT TRANSFER SECTION 2 (B468/B469)



5.SHIFT TRANSFER SECTION 3 (B468/B469)

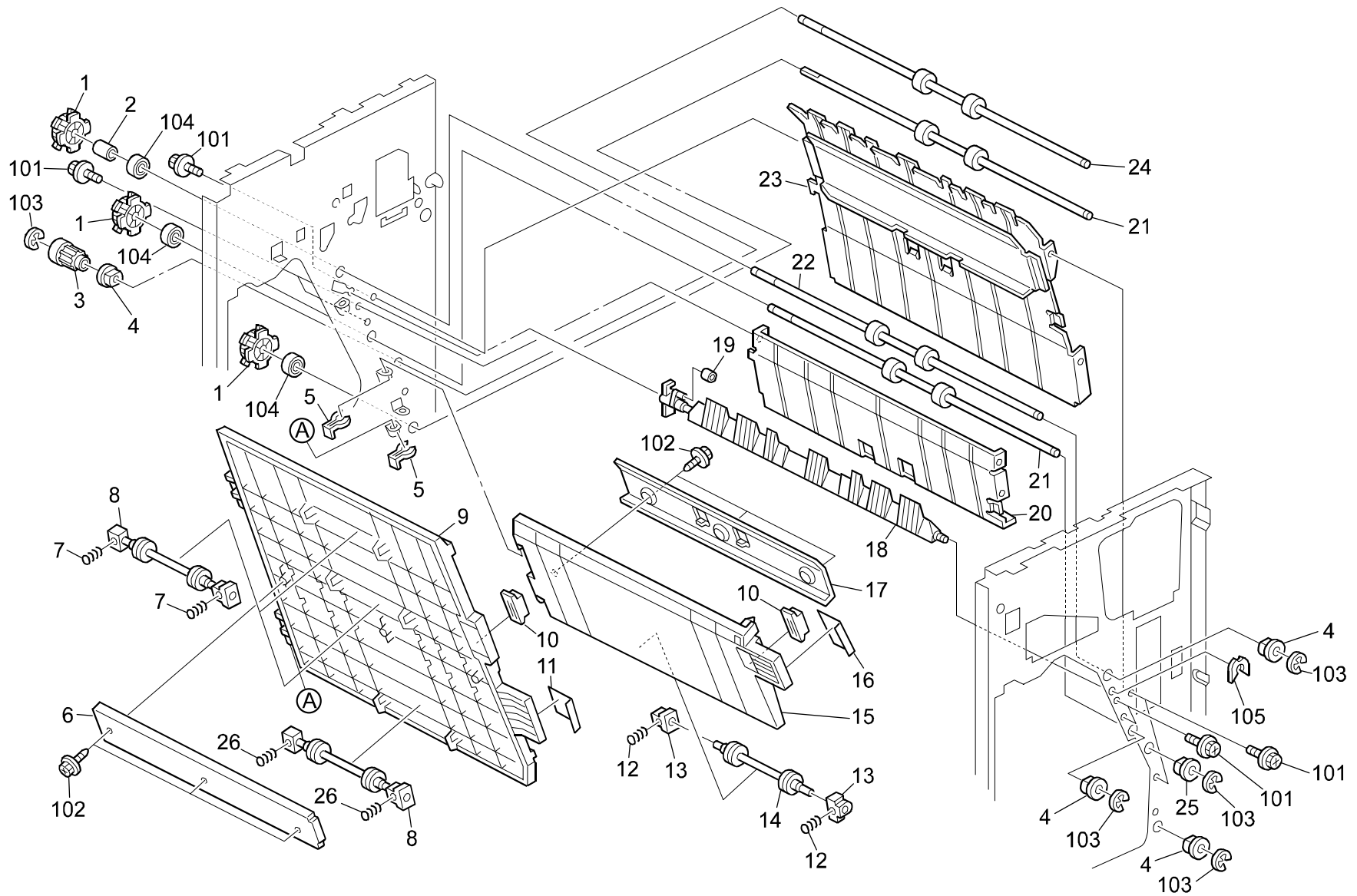


5.SHIFT TRANSFER SECTION 3 (B468/B469)

Index No.	Part No.	Description	Q'ty Per Assembly
1	5053 0447	Bushing - 6mm	3
2	A697 2210	Lower Guide - Proof Tray	1
3	AW02 0079	Photointerruptor	1
4	B468 2911	Bracket - Photointerruptor	1
5	AW02 0049	Photointerruptor - OS - 580213-703	1
6	B468 5495	Relay Harness - Paper Exit	1
7	B468 2241	Exit Roller - Proof Tray	1
8	B302 2216	Exit Guide - Upper Exit Guide	1
9	AA12 0099	Antistatic Brush - 320mm	1
10	B468 2121	Film - Proof Tray	2
11	B468 2112	Upper Guide Plate	1
12	A697 2187	Pressure Spring - 14.1mm	2
13	AF02 2147	Driven Roller	2
14	B468 2711	Gate Pawl	1
15	B408 1413	Coupling Stay	2
16	A458 2251	Cushion - Bin Solenoid Lever	1
17	B468 2231	Transport Roller	2
18	B302 7701	Decal - R1	1
19	G012 1531	Magnet	1
20	B468 2145	Knob - Release Lever	1
21	A697 2140	Upper Entrance Guide	1
22	A680 1181	Magnetic Catch	1
23	A697 2144	Pressure Spring	2
24	A697 1606	Spacer - 6x12x2.7mm	1
25	AB03 0374	Timing Pulley - 20Z	1
26	B468 2255	Timing Pulley - T20	3
27	A697 1605	Spacer - 6x10x15.2mm	2
28	A697 1125	Stepped Screw - Lever	1

Index No.	Part No.	Description	Q'ty Per Assembly
101	0451 3006B	Tapping Screw - M3x6	
102	0313 0040B	Philips Pan Head Screw - M3x4	
103	0741 3506	Ball Bearing - 6x12x4 Mm	
104	1105 0328	Harness Clamp - ES-0505	
105	1105 0511	Harness Clamp - LWS-0306ZC	
106	0805 0089	Retaining Ring - M4	

6.STAPLE TRANSFER SECTION 1 (B468/B469)

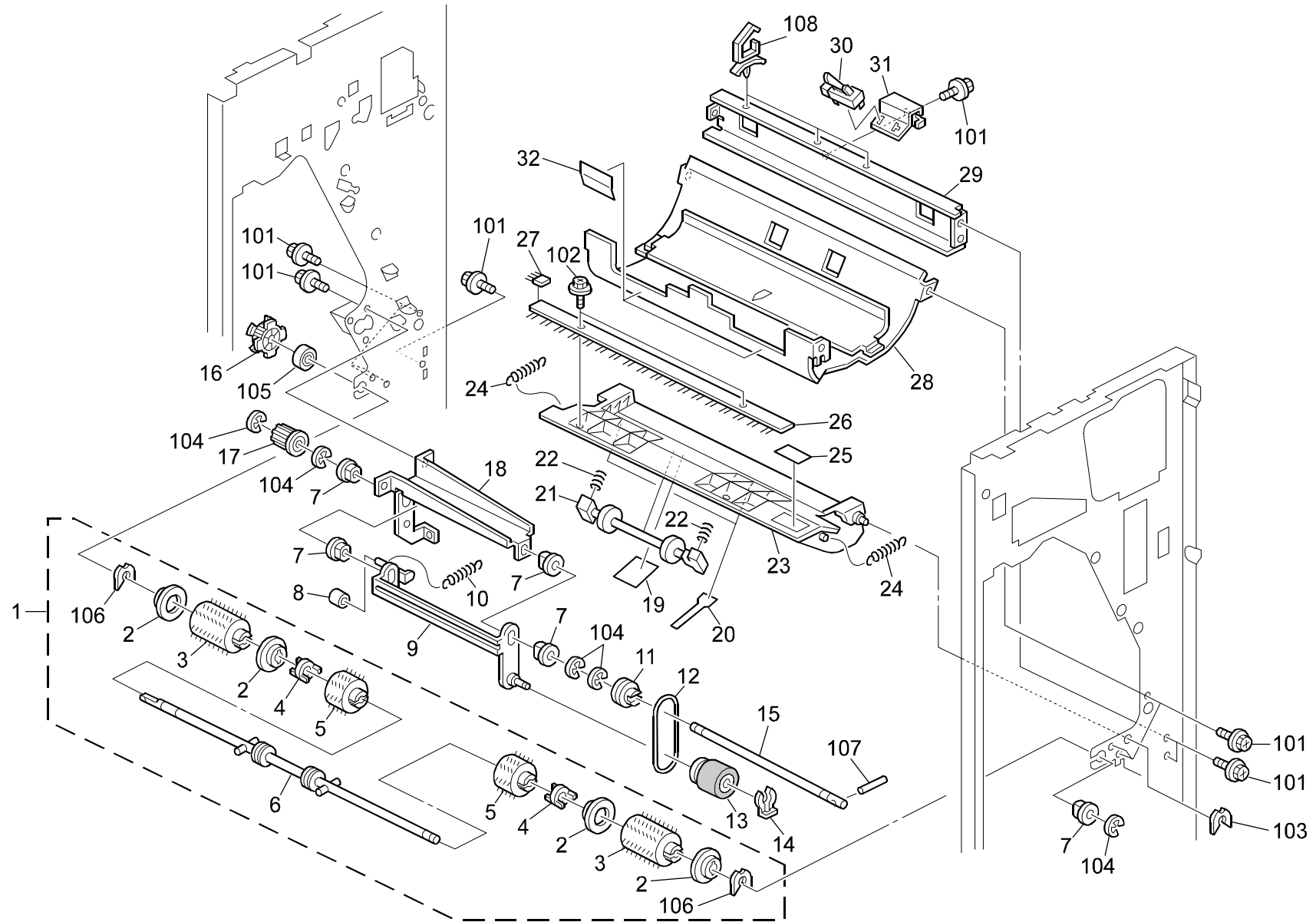


6.STAPLE TRANSFER SECTION 1 (B468/B469)

Index No.	Part No.	Description	Q'ty Per Assembly
1	B468 2255	Timing Pulley - T20	3
2	A697 1605	Spacer - 6x10x15.2mm	1
3	B312 1521	Timing Pulley - 20T	1
4	5053 0447	Bushing - 6mm	4
5	C101 2360	Snap Ring	2
6	A612 2435	Support Plate	1
7	AA06 3529	Pressure Spring - 14.5mm	4
7		MB22	6
8	AF02 2147	Driven Roller	3
9	B468 2162	Guide Plate	1
10	AG07 1010	Magnet Catch	2
11	A697 5500	Decal - Replacement R4	1
12	B312 2174	Pressure Spring - 12mm	2
13	AA08 0242	Bushing - 4mm	2
14	B312 2172	Driven Roller	1
15	B312 2171	Middle Guide - Vertical Transport	1
16	B312 5700	Decal - R5	1
17	B312 2173	Support Plate	1
18	B312 2100	Pre-stack Gate	1
19	A458 2251	Cushion - Bin Solenoid Lever	1
20	B312 2166	Vertical Guide	1
21	B352 2610	Shift Transport Roller	2
22	B468 2231	Transport Roller	1
23	B468 2118	Lower Guide Plate	1
24	B312 2176	Transport Roller	1
25	AA08 0238	Bushing - M6	1
26	A697 2187	Pressure Spring - 14.1MM X/O MB22 ADDED	2

Index No.	Part No.	Description	Q'ty Per Assembly
101	0451 3006B	Tapping Screw - M3x6	
102	0450 3008B	Tapping Screw - M3x8	
103	0720 0040B	Retaining Ring - M4	
104	0741 3506	Ball Bearing - 6x12x4 Mm	
105	0805 0089	Retaining Ring - M4	

7.STAPLE TRANSFER SECTION 2 (B468/B469)

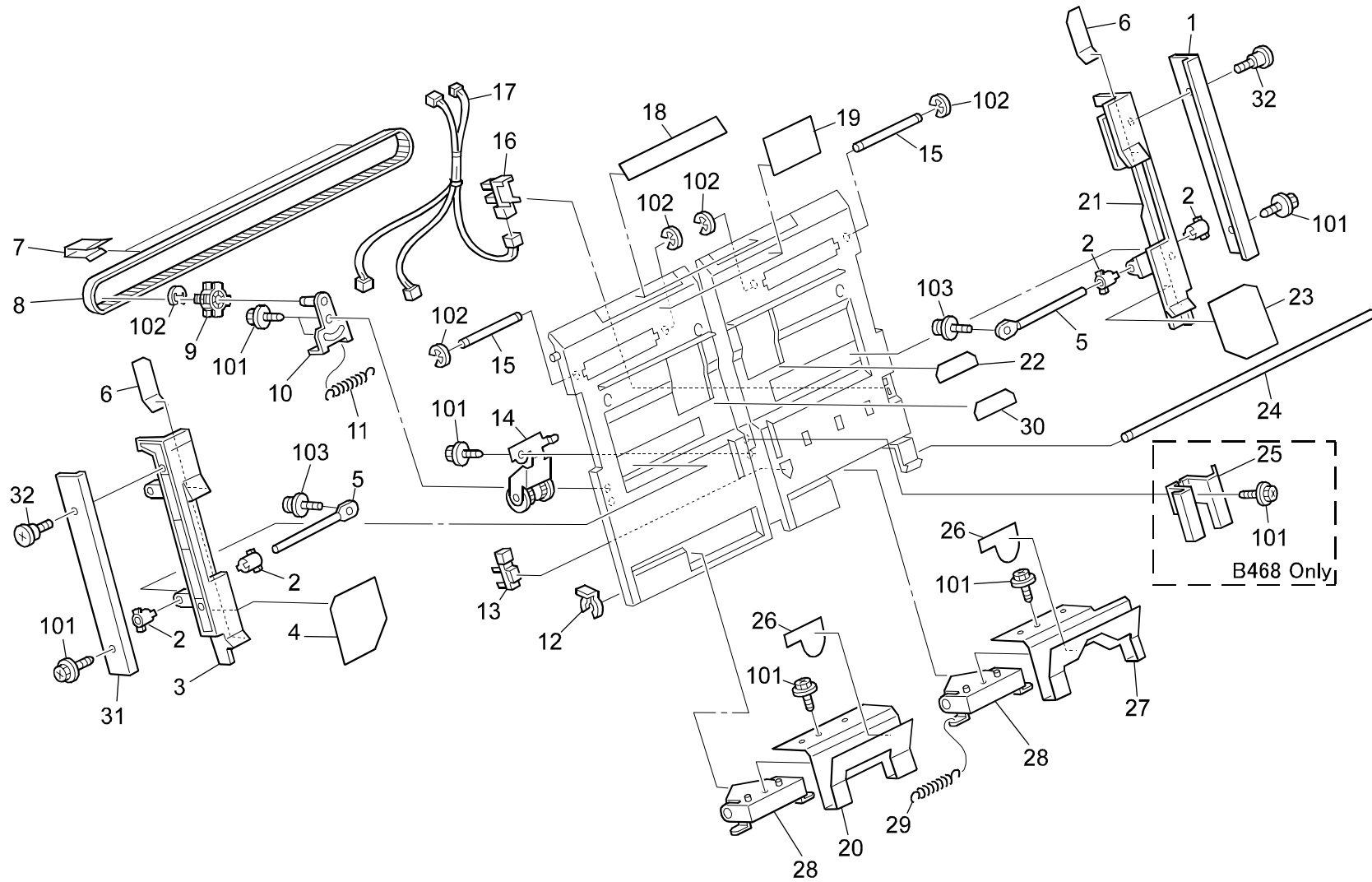


7.STAPLE TRANSFER SECTION 2 (B468/B469)

Index No.	Part No.	Description	Q'ty Per Assembly
1	B468 2221	Lower Exhaust Roller	1
2	B468 2224	Flange - Brush Roller	4
3	B302 2413	Brush Roller	2
4	A697 2132	Joint - Brush Roller	2
5	A697 2138	Brush Roller	2
6	B468 2222	Exit Roller	1
7	5053 0447	Bushing - 6mm	5
8	AA16 1099	Lever Cushion	1
9	A608 2813	Positioning Roller Arm	1
10	B468 2515	Spring - Gather Roller	1
11	5919 2127	Positioning Roller Pulley	1
12	5919 2132	Positioning Roller Belt	1
13	B478 2116	Reverse Roller - Stapler Tray	1
14	5447 2681	Snap Ring	1
15	A608 2816	Positioning Roller Shaft	1
16	B468 2255	Timing Pulley - T20	1
17	A697 2260	Pulley - 17T	1
18	A300 3851	Positioning Roller Bracket	1
19	B468 2187	Middle Guide - Stapler Tray	1
20	B468 2188	Both End Guide - Stapler Tray	2
21	AF02 2147	Driven Roller	1
22	AA06 3529	Pressure Spring - 14.5mm	2
23	B302 2451	Lower Guide Plate	1
24	B302 2459	Spring - 5x39mm	2
25	B302 7706	Decal - R6	1
26	AA12 0099	Antistatic Brush - 320mm	1
27	A697 2131	Antistatic Brush	1
28	B468 2131	Stapler Guide Plate	1
29	B408 1413	Coupling Stay	1
30	AW02 0049	Photointerruptor - OS - 580213-703	1
31	B468 1332	Exit Sensor Bracket	1
32	B468 2134	Stapler Guide	2

Index No.	Part No.	Description	Q'ty Per Assembly
101	0451 3006B	Tapping Screw - M3x6	
102	0450 3008B	Tapping Screw - M3x8	
103	0805 0089	Retaining Ring - M4	
104	0720 0040B	Retaining Ring - M4	
105	0741 3506	Ball Bearing - 6x12x4 Mm	
106	0805 0088	Retaining Ring - M6	
107	0623 0120E	Spring Pin - M3x12	
108	1105 0511	Harness Clamp - LWS-0306ZC	

8.STAPLE TRAY 1 (B468/B469)



8.STAPLE TRAY 1 (B468/B469)

Index No.	Part No.	Description	Q'ty Per Assembly
1	B468 4339	Support Plate - Front Jogger Fence	2
	B468 4335	X/X MB28	
2	B468 4327	Bushing	4
3	B468 4322	Front Jogger Fence	1
4	B468 4332	Front Myler	1
5	B468 4325	Long Shaft	2
6	B468 4328	Jogger Guide	4
7	B468 4381	Stopper - Timing Belt	2
8	B468 4371	Timing Belt - 900P2M4	1
9	A697 4170	Pulley - 32T	1
10	B408 4223	Belt Tensioner - Stapler	1
11	B468 4333	Tension Spring - 10.6N	1
	A697 1518	X/O MB14	
12	5447 2681	Snap Ring	1
13	AW01 0057	Pegistration Sensor	1
14	B352 4261	Tightener - Exit Belt	1
15	B468 4326	Short Shaft	2
16	AW02 0086	Photointerruptor	1
17	B468 5443	Relay Harness - Stapler Unit	1
18	B468 4115	Guide Film (B468)	2
18	B469 4115	Guide Myler (B469)	2
19	B468 4118	Upper Myler - Stapler	2
20	B468 4152	Standard Fence	1
21	B468 4312	Rear Jogger Fence	1
22	B468 4116	Middle Stapler Film	1
23	B468 4331	Rear Myler	1
24	B468 4158	Guide Rod	1
25	B468 4149	Stapler Tray Bracket	1
26	B468 4157	Guide Myler	2
27	B468 4156	Standard Fence	1
28	B468 4154	Fence Slider	2
29	A300 3759	Spring	1
30	B468 4119	Front Myler - Stapler	1
31	B468 4338	Support Plate - Rear Jogger Fence	1
		MB28 ADDED	

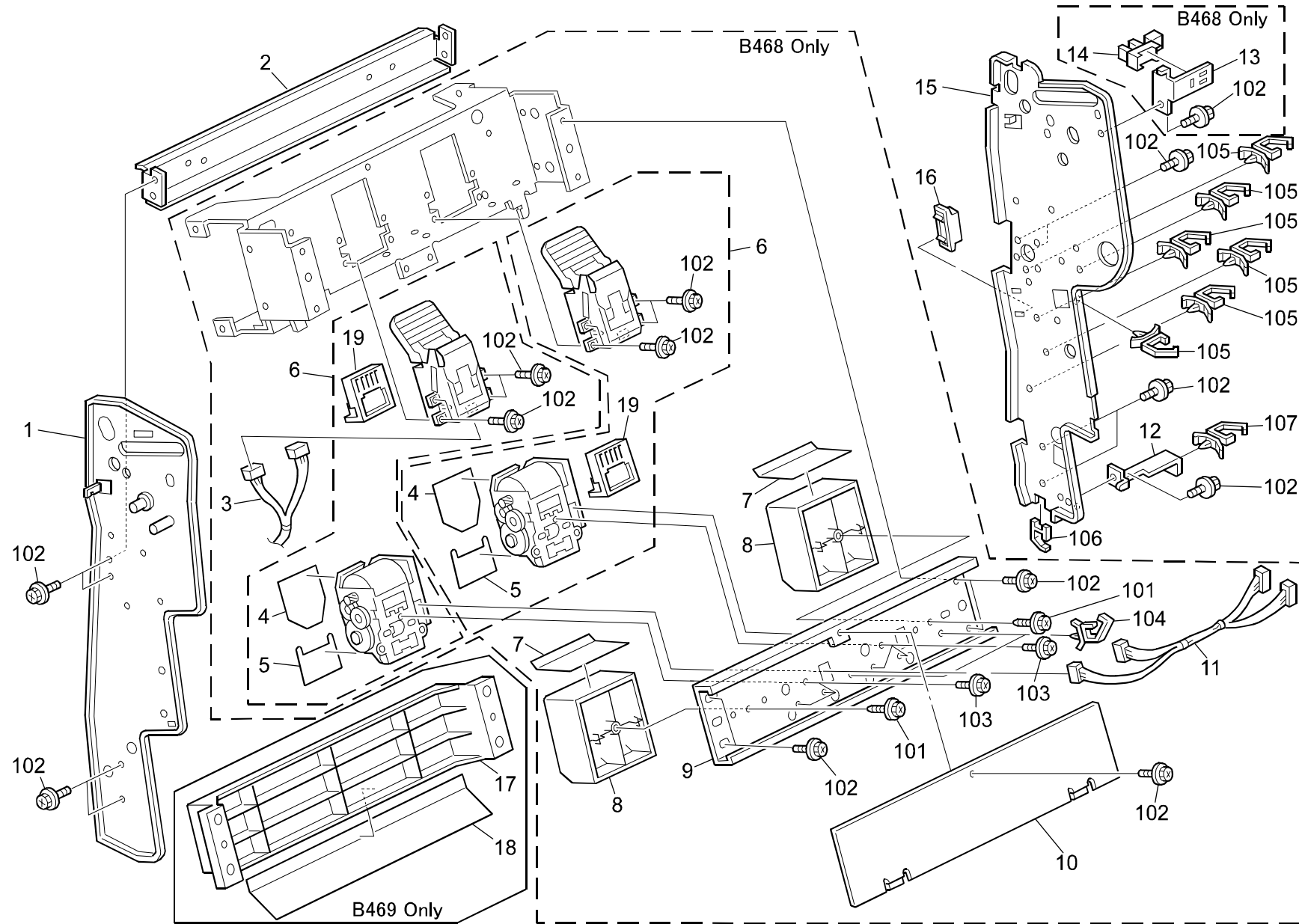
Index No.	Part No.	Description	Q'ty Per Assembly
32	AA14 3482	Screw - M3 MB28 ADDED	2
101	0450 3008B	Tapping Screw - M3x8	
102	0720 0040B	Retaining Ring - M4	
103	0804 6075	Hexagonal Bolt - M3x8	

9.STAPLE TRAY 2 (B468/B469)

Index No.	Part No.	Description	Q'ty Per Assembly
1	B468 4146	Exit Belt Guide	1
2	G020 4429	Exit Sensor	1
3	B468 4173	Bracket:Sensor:Exit Belt	1
	B468 4172	X/O MB30	
4	A697 2131	Antistatic Brush	1
5	B468 4122	Stapler Stay	1
6	A353 2763	Washer - M5	2
7	B468 4147	Exit Belt Pawl	2
	B468 4144	X/O MB10	
8	B468 4142	Exit Belt	1
9	A666 3180	Timing Pulley - Z32	2
10	B468 4117	Shaft - M6x24	1
11	B468 4111	Stapler Tray	1
12	B468 4161	Drive Shaft	1
13	B312 4140	Stepping Motor - 8.0W	1
14	B468 4341	Motor Bracket	1
15	A666 3270	Pulley - Z40	1
16	B468 4816	Timing Belt - 310P2M4	1
17	B468 4811	Motor Bracket	1
18	B468 5760	Stepper Motor	1

Index No.	Part No.	Description	Q'ty Per Assembly
101	0720 0040B	Retaining Ring - M4	
102	1105 0487	Harness Clamp	
103	0451 3006B	Tapping Screw - M3x6	
104	0242 0035B	Pan Head Screw - M2x3.5	
105	0711 0020B	Nut Plate,switch(100 Pcs/1 Set)	
106	0805 3385	Bushing - 6mm	
107	1105 0511	Harness Clamp - LWS-0306ZC	
108	0950 3005B	Philips Screw With Spring Washer - MB15 ADDED	

10. STAPLE TRAY 3 (B468/B469)

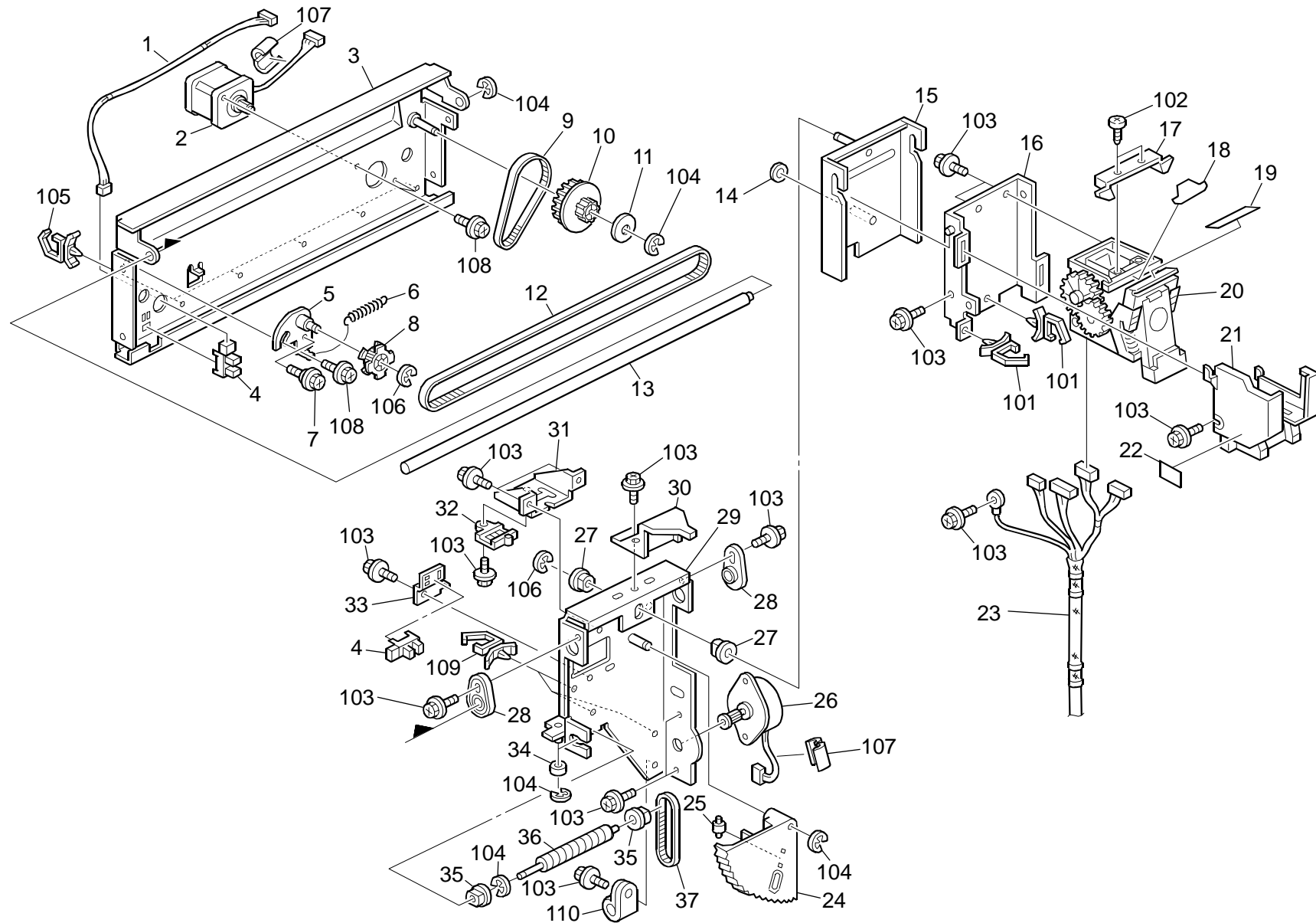


10.STAPLE TRAY 3 (B468/B469)

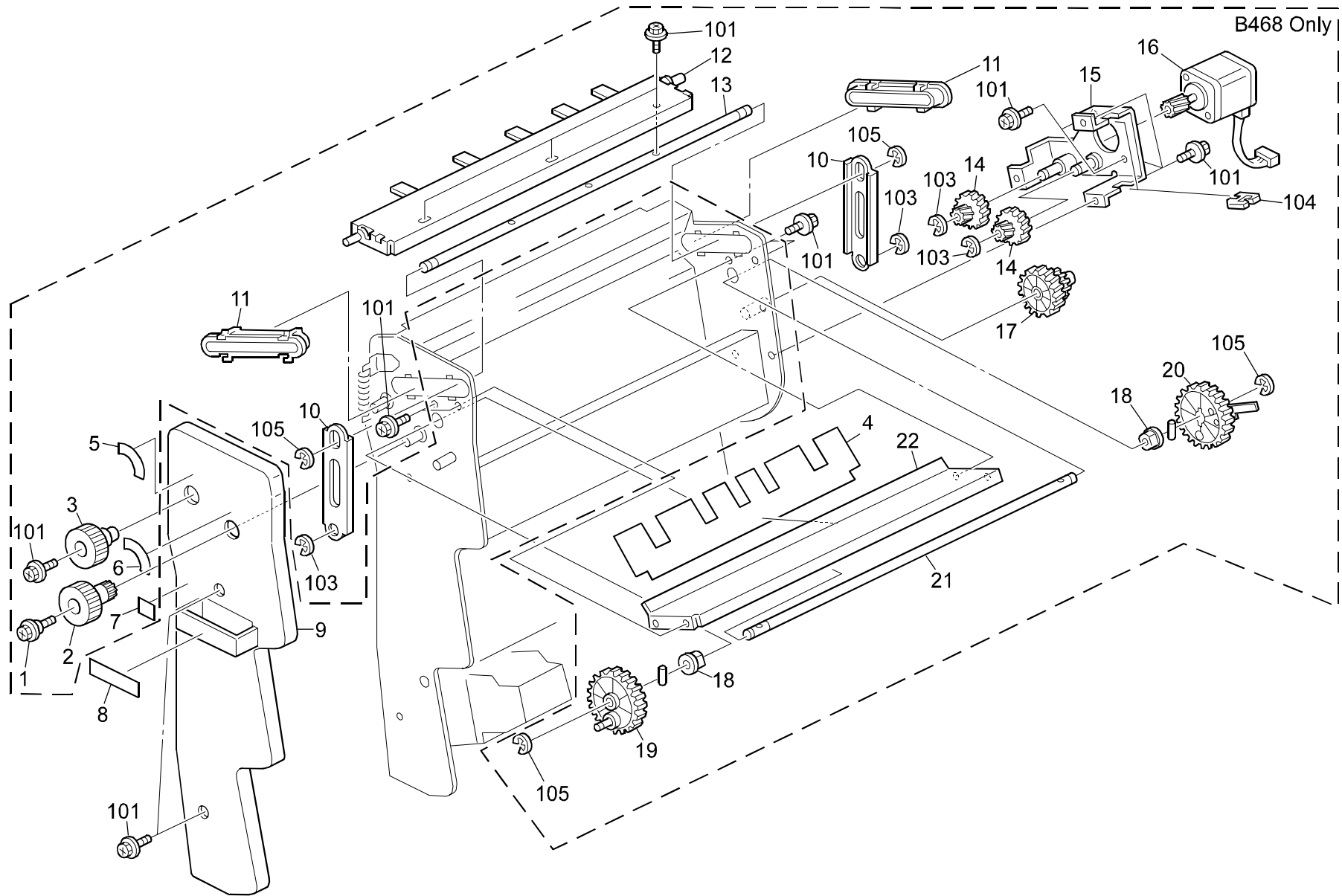
Index No.	Part No.	Description	Q'ty Per Assembly
1	B468 4215	Front Side Plate (B468)	1
	B468 4211	X/X MB4	
1	B468 4216	Front Side Plate (B469)	1
	B468 4212	X/X MB4	
2	B468 4231	Slide Rail Stay	1
3	B468 5442	Relay Harness - Stapler Cartridge	1
4	B468 4136	Middle Myler	2
5	B468 4126	Entrance Myler	2
6	B468 6200	Stapler	1
7	B468 4139	Jogger Fence Myler	2
8	B468 4128	Stapler Guide	2
9	B468 4127	Small Stay	1
10	B674 4129	Cover:Stay:Stapler:Upper	1
	B468 4129	O/O MB29	
11	B468 5441	Relay Harness - Stapler	1
12	A300 3151	Support Bracket	1
13	B468 4781	Sensor Bracket	1
14	AW02 0086	Photointerruptor	1
15	B468 4225	Rear Side Plate (B468)	1
	B468 4221	X/X MB4	
15	B468 4226	Rear Side Plate (B469)	1
	B468 4222	X/X MB4	
16	AG07 1010	Magnet Catch	1
17	B469 4133	Guide Plate - Stapler Tray	1
18	B469 4134	Guide Myler - Stapler Tray	1
19	B468 6411	Adjusting Pin - Booklet Stapler	1

Index No.	Part No.	Description	Q'ty Per Assembly
101	0450 3008B	Tapping Screw - M3x8	
102	0451 3006B	Tapping Screw - M3x6	
103	0804 6075	Hexagonal Bolt - M3x8	
104	1105 0487	Harness Clamp	
105	1105 0488	Harness Clamp	
106	1105 0514	Edge Saddle - EDS-0607I	
107	1105 0489	Harness Clamp - LWS 1316	

11.STAPLE TRAY 4 (B468/B469)



12.PAPER CRIMP SECTION 1 (B468/B469)



12.PAPER CRIMP SECTION 1 (B468/B469)

Index No.	Part No.	Description	Q'ty Per Assembly
1	A697 1125	Stepped Screw - Lever	1
2	B468 4785	Knob	1
3	B468 4671	Knob	1
4	B468 4792	Myler Guide	1
5	B468 7802	Decal - R8	1
6	B468 7801	Decal - R7	1
7	B468 7804	Decal - S2	1
8	B468 7803	Decal - R9 (B468)	1
8	B469 7813	Decal - R7 (B469)	1
9	B468 4911	Front Inner Cover	1
10	B468 4761	Drive Link	2
11	B468 4771	Slide Guide	2
12	B468 4716	Bracket:Paper Crimp:Move:Ass'y	1
	B468 4711	X/O MB16	
13	B468 4715	Guide Shaft	1
14	B468 4757	Gear - Z14	2
15	B468 4751	Stepper Motor Bracket	1
16	B468 5770	Stepper Motor	1
17	B468 4745	Middle Gear	1
18	5053 0223	Bushing - 8mm	2
19	B468 4742	Drive Gear MB21 DELETED	2
20	B468 4732	Shielding Plate Bracket MB21 DELETED	1
21	B468 4743	Link Shaft MB21 DELETED	2
22	B468 4744	Drive Shaft	1
23	B468 4791	Guide Plate	1
24	B468 4741	Gear:Paper Crimp:Drive:Front (B468)	1
		X/O MB21 ADDED	
25	B468 4731	Gear:Paper Crimp:Drive:Rear (B468)	1
		X/O MB21 ADDED	

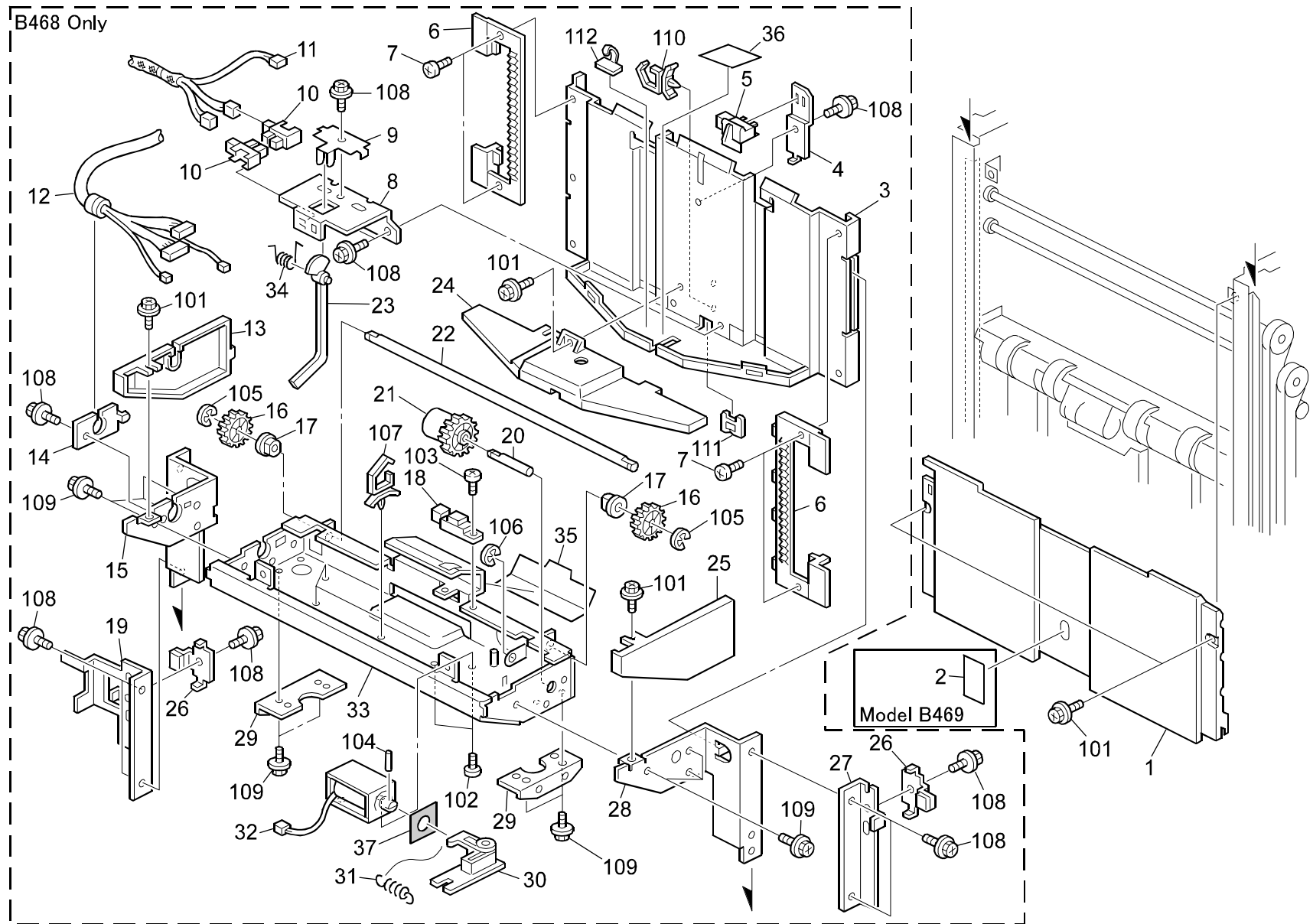
Index No.	Part No.	Description	Q'ty Per Assembly
101	0451 3006B	Tapping Screw - M3x6	
102	0450 3008B	Tapping Screw - M3x8	
103	0720 0040B	Retaining Ring - M4	
104	1105 0328	Harness Clamp - ES-0505	
105	0720 0060B	Retaining Ring - M6	

13.PAPER CRIMP SECTION 2 (B468/B469)

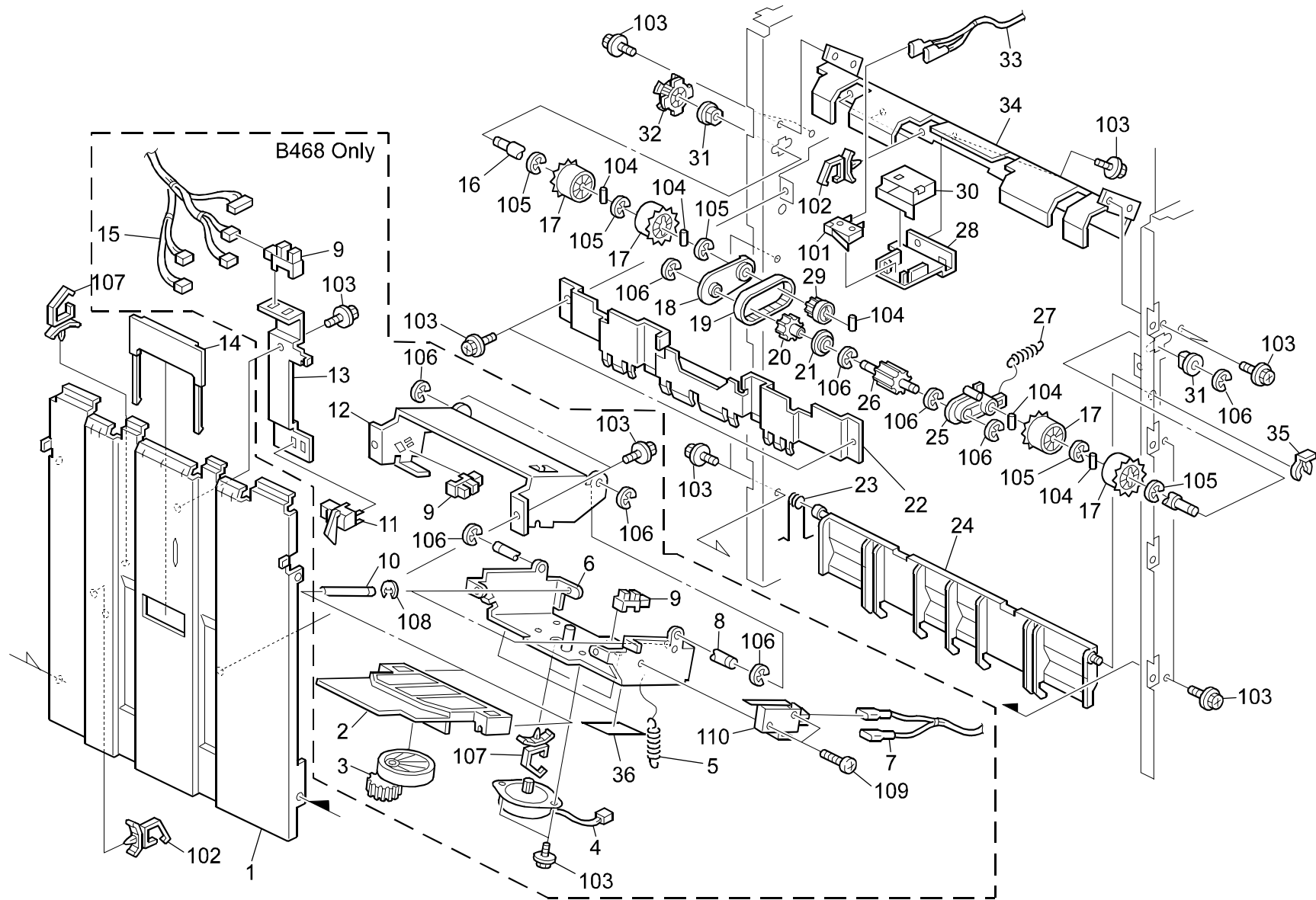
Index No.	Part No.	Description	Q'ty Per Assembly
1	A697 1125	Stepped Screw - Lever	2
2	B468 4691	Tension Spring	2
3	B468 4617	Roller Bracket	2
4	B468 4666	Roller Guide Plate	1
5	B468 4628	Drive Gear	2
	B468 4651	X/O MB11	
6	B468 4627	Gear - 18Z	2
	B468 4624	X/O MB11	
7	B468 4622	Short Roller Arm	2
8	B468 4621	Roller Arm	2
9	B468 4629	Roller Shaft	2
	B468 4623	X/O MB11	
10	B468 4640	Stepper Motor	1
11	B468 4634	Bracket	1
	B468 4635	X/O MB11	
12	B468 4654	Timing Belt - 255P5M6	1
13	B468 4649	Pulley - 20T/20Z	1
	B468 4652	X/O MB11	
14	B468 4659	Idler Pulley - T1226P5M	1
15	B468 4653	Timing Belt - 215P5M6	1
16	B468 4615	Drive Roller	1
17	A681 2416	Antistatic Brush	1
18	B468 4662	Guide Plate	1
19	B468 4611	Drive Roller	1
20	B468 4663	Guide Film	1

Index No.	Part No.	Description	Q'ty Per Assembly
101	0741 3808	Ball Bearing - 8x16x5mm	
102	0720 0060B	Retaining Ring - M6	
103	0720 0040B	Retaining Ring - M4	
104	0451 4008B	Philips Tapping Screw - M4x8	
105	0451 3006B	Tapping Screw - M3x6	

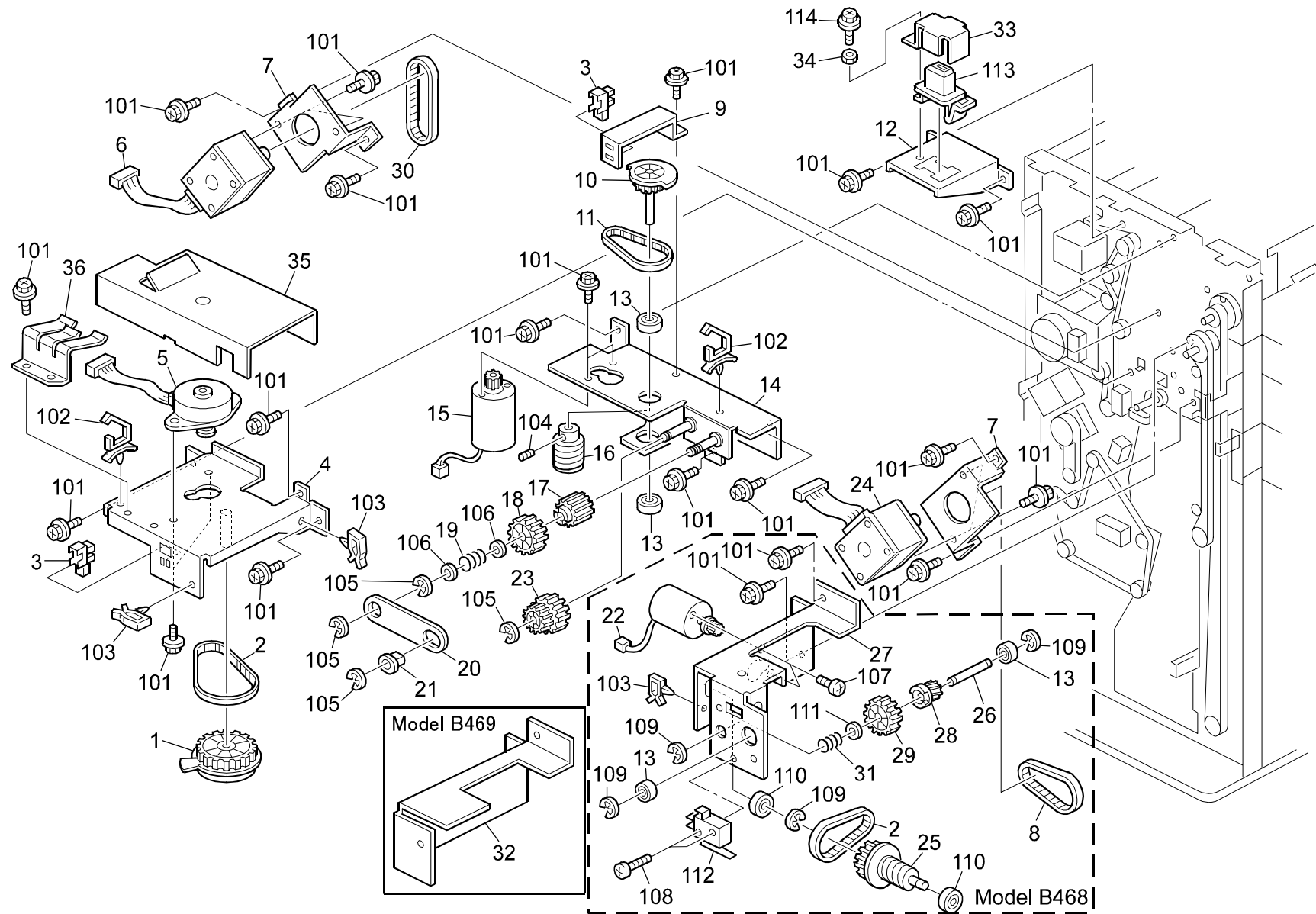
14. UPPER PAPER EXIT (B468/B469)



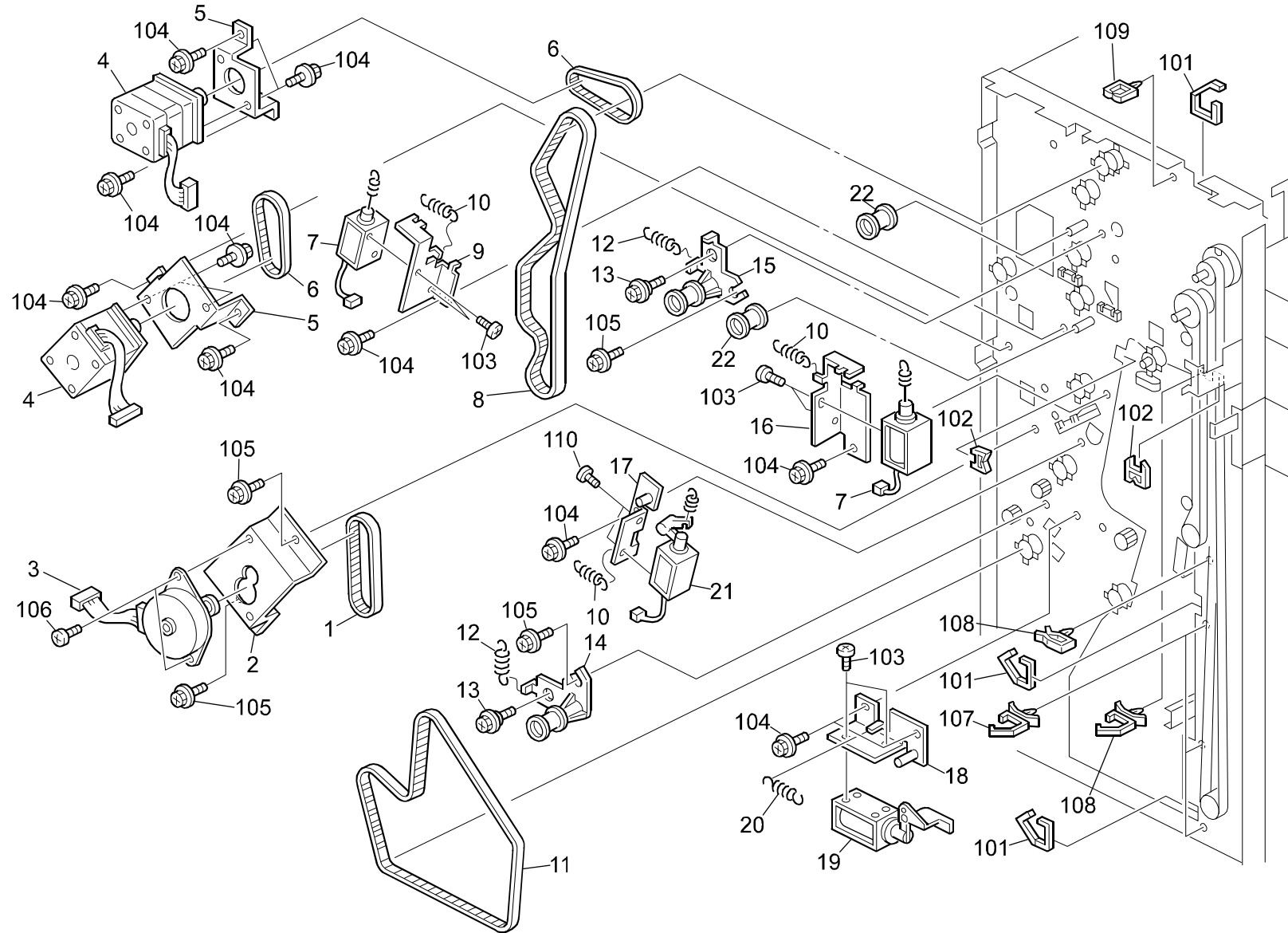
16.LOWER PAPER EXIT 2 (B468/B469)



17.DRIVE SECTION 1 (B468/B469)



18.DRIVE SECTION 2 (B468/B469)

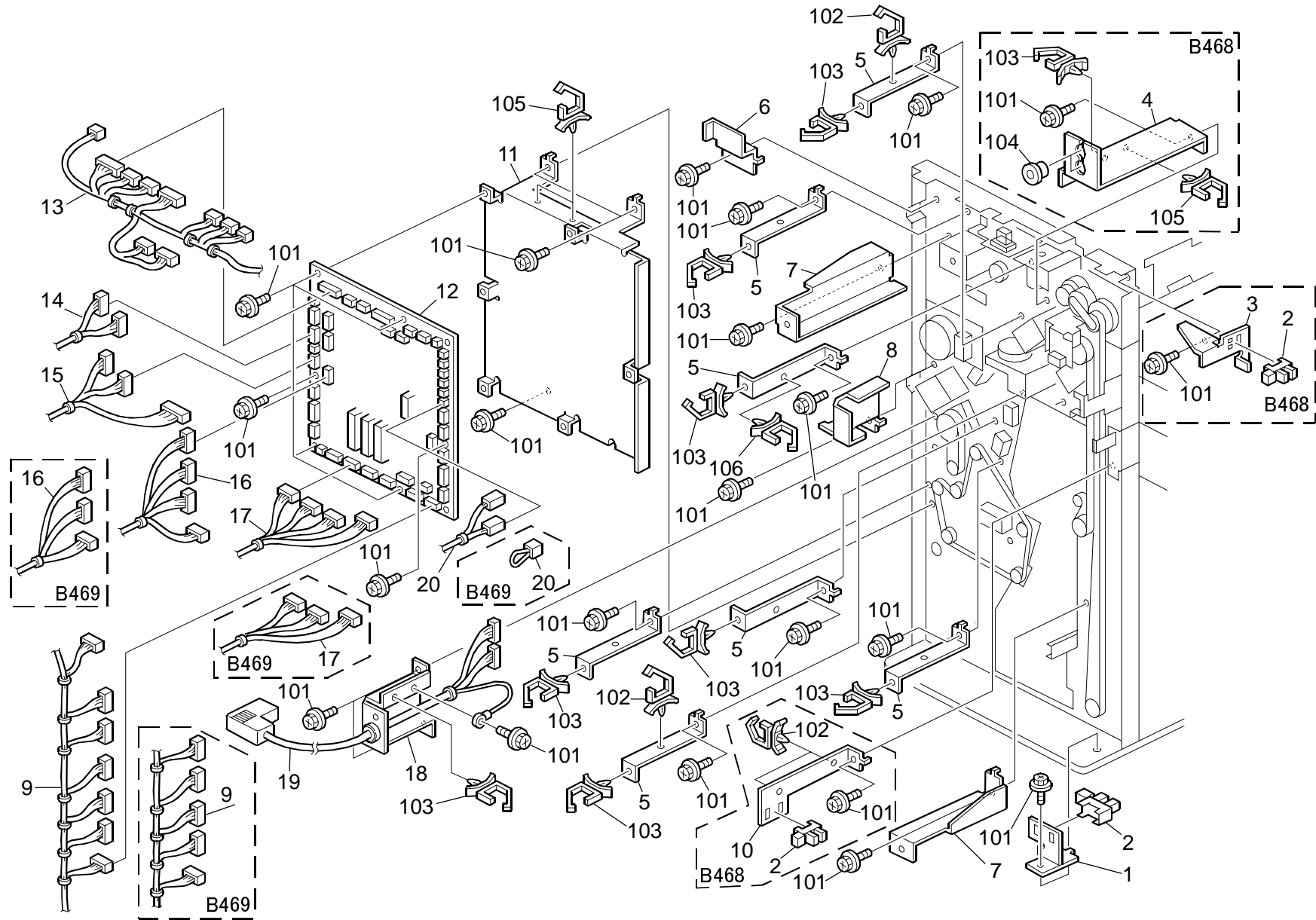


18.DRIVE SECTION 2 (B468/B469)

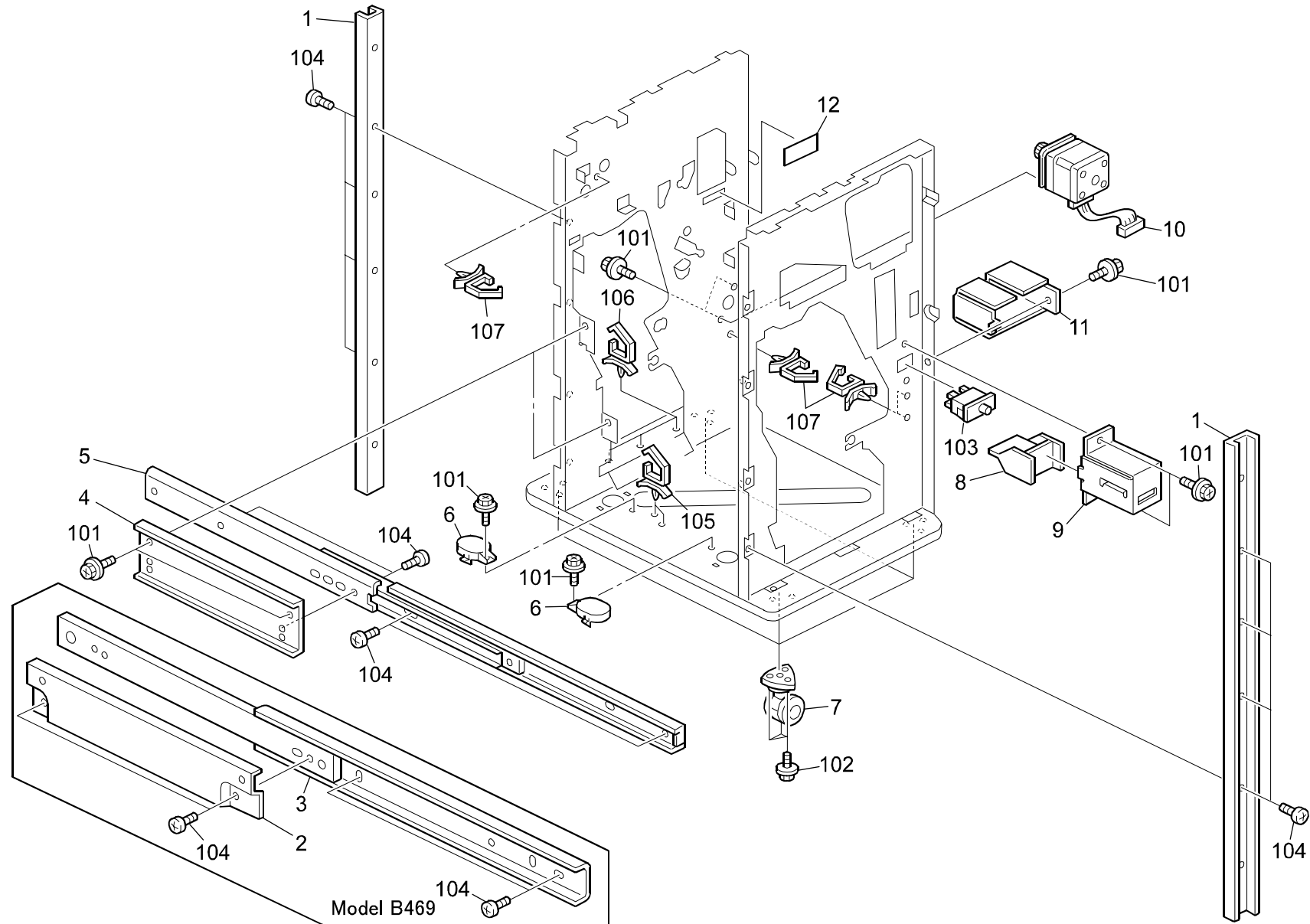
Index No.	Part No.	Description	Q'ty Per Assembly
1	B468 2631	Timing Belt - 186P2M4	1
2	B312 1524	Motor Bracket	1
3	AX04 0121	Stepping Motor - DC 6.5W	1
4	B468 5750	Stepper Motor	2
5	B468 2691	Stepper Motor Bracket	2
6	B468 2611	Timing Belt - 219P3M4	2
7	B468 2755	DC Solenoid	2
8	B468 2662	Timing Belt - 552P3M4	1
9	B468 2761	Bracket - Junction Gate Solenoid -	1
10	AA06 0092	Release Spring	3
11	B468 2621	Timing Belt - 681P3M4	1
12	A697 1518	Spring - Oil Blade	2
13	A697 1125	Stepped Screw - Lever	2
14	B312 1600	Tightener	1
15	B312 1610	Tightener	1
16	B468 2751	DC Solenoid Bracket	1
17	B468 2771	Bracket - Junction Gate Solenoid -	1
18	B468 2551	DC Solenoid Bracket	1
19	B468 2555	DC Solenoid - Gather Roller	1
20	A300 3865	Release Spring	1
21	B468 2775	DC Solenoid - Junction Gate	1
22	B312 1615	Tension Roller	2

Index No.	Part No.	Description	Q'ty Per Assembly
101	1105 0334	Edge - 17	
102	1105 0328	Harness Clamp - ES-0505	
103	0313 0040B	Philips Pan Head Screw - M3x4	
104	0451 3006B	Tapping Screw - M3x6	
105	0451 3008B	Tapping Screw - M3x8	
106	0453 3006B	Tapping Screw - M3x6	
107	1105 0488	Harness Clamp	
108	1105 0511	Harness Clamp - LWS-0306ZC	
109	1105 0231	Clamp	
110	0313 0030B	Philips Pan Head Screw - M3x3	

19.ELECTRICAL SECTION (B468/B469)



20.FRAME SECTION (B468/B469)



20.FRAME SECTION (B468/B469)

Index No.	Part No.	Description	Q'ty Per Assembly
1	B468 3311	Support Tray	2
2	B469 1412	Slide Rail Bracket	2
3	A697 1120	Slide Rail	2
4	B468 1412	Slide Rail Bracket	2
5	A666 1315	Slide Rail	2
6	A697 1117	Base Plate Cap	2
7	AH01 2019	Caster	4
8	B468 1256	Safety Switch Lever	1
9	B468 1255	Safety Switch Bracket	1
10	B468 5750	Stepper Motor	1
11	B468 1257	Safety Switch Cover	1
12	B468 1214	Toner Hopper Film	1

Index No.	Part No.	Description	Q'ty Per Assembly
101	0451 3006B	Tapping Screw - M3x6	
102	0802 5277	Tapping Screw	
103	1204 2384	Interlock Switch	
104	0453 3006B	Tapping Screw - M3x6	
105	1105 0489	Harness Clamp - LWS 1316	
106	1105 0488	Harness Clamp	
107	1105 0487	Harness Clamp	
	0950 3006B	Sem.s Screw - M3x6 MB1 ADDED	

21.MAIN CONTROL BOARD (B468)

CAPACITOR

SYMBOL NO.	INDEX NO.	SYMBOL NO.	INDEX NO.	SYMBOL NO.	INDEX NO.	SYMBOL NO.	INDEX NO.	SYMBOL NO.	INDEX NO.	SYMBOL NO.	INDEX NO.	SYMBOL NO.	INDEX NO.
C100	164	C110	163	C120	165	C130	191	C140	192	C150	191	C160	191
C101	164	C111	164	C121	165	C131	191	C141	191	C151	191	C161	191
C102	164	C112	164	C122	165	C132	191	C142	191	C152	191	C162	191
C103	164	C113	164	C123	191	C133	191	C143	191	C153	191	C163	191
C104	164	C114	164	C124	191	C134	191	C144	191	C154	191	C164	191
C105	164	C115	164	C125	191	C135	191	C145	191	C155	191	C165	191
C106	164	C116	164	C126	191	C136	189	C146	191	C156	191	C166	191
C107	164	C117	164	C127	191	C137	189	C147	191	C157	191	C167	191
C108	163	C118	164	C128	191	C138	191	C148	191	C158	189	C168	191
C109	161	C119	164	C129	191	C139	191	C149	191	C159	190	C169	191

CAPACITOR

SYMBOL NO.	INDEX NO.	SYMBOL NO.	INDEX NO.	SYMBOL NO.	INDEX NO.	SYMBOL NO.	INDEX NO.	SYMBOL NO.	INDEX NO.	SYMBOL NO.	INDEX NO.	SYMBOL NO.	INDEX NO.
C170	191	C180	191	C190	191	C200	191	C210	191	C220	191	C230	191
C171	191	C181	191	C191	191	C201	191	C211	191	C221	191	C231	191
C172	191	C182	191	C192	191	C202	191	C212	191	C222	191	C232	191
C173	191	C183	191	C193	191	C203	191	C213	191	C223	191	---	---
C174	192	C184	191	C194	191	C204	190	C214	191	C224	191	C234	191
C175	190	C185	191	C195	191	C205	191	C215	191	C225	191	C235	191
C176	191	C186	191	C196	191	C206	191	C216	191	C226	191	C236	191
C177	191	C187	191	C197	191	C207	191	C217	191	C227	191	C237	191
C178	191	C188	191	C198	191	C208	191	C218	191	C228	191	C238	191
C179	191	C189	191	C199	191	C209	191	C219	191	C229	191	C239	191

21.MAIN CONTROL BOARD (B468)

CAPACITOR

SYMBOL NO.	INDEX NO.
C240	191
C241	191
C242	191
C243	191
C244	191
C245	191
C246	191
C247	191
C248	191
C249	191

SYMBOL NO.	INDEX NO.
C250	191
C251	191
C252	191
C253	191
C254	191
C255	191
C256	191
C257	191
C258	191
C259	191

SYMBOL NO.	INDEX NO.
C260	191
C261	191
C262	191
C263	191
C264	191
C265	191
C266	191
C267	191
C268	191
C269	191

SYMBOL NO.	INDEX NO.
C270	191
C271	191
C272	191
C273	191
C274	191
C275	191
C276	191
C277	191
C278	187
C279	188

SYMBOL NO.	INDEX NO.
C280	187
C281	189
C282	189
C283	192
C284	187
C285	187
C286	187
C287	187
C288	187
C289	187

SYMBOL NO.	INDEX NO.
C290	187
C291	187
C292	187
C295	192

CONNECTOR

SYMBOL NO.	INDEX NO.
CN100	125
CN101	124
CN102	127
CN103	126
CN104	111
CN105	106
CN106	106
CN107	120
CN108	107
CN109	106

CONNECTOR

SYMBOL NO.	INDEX NO.
CN110	106
CN111	119
CN112	116
CN113	106
CN114	111
CN115	105
CN116	113
CN117	104
CN118	102
CN119	102

SYMBOL NO.	INDEX NO.
CN120	118
CN121	108
CN122	120
CN123	128
CN124	108
CN125	112
CN126	109
CN127	105
CN128	115
CN129	102

SYMBOL NO.	INDEX NO.
CN130	107
CN131	105
CN132	105
CN133	111
CN134	121
CN135	122
CN136	121
CN137	121
CN139	123
CN140	117

SYMBOL NO.	INDEX NO.
CN141	103
CN142	104
CN143	114

DIODE

SYMBOL NO.	INDEX NO.
D100	138
D101	138
D102	138
D103	138
D104	138
D105	138
D106	138
D107	138
D108	138
D109	138

SYMBOL NO.	INDEX NO.
D110	139

FUSE

SYMBOL NO.	INDEX NO.
FU100	131
(clip)	129

21.MAIN CONTROL BOARD (B468)

IC

SYMBOL NO.	INDEX NO.
IC100	152
----	----
IC102	156
IC103	152
IC104	152
IC105	152
----	----
IC107	152
IC108	149
IC109	152

SYMBOL NO.	INDEX NO.
----	----
IC111	152
----	----
IC113	143
IC114	142
IC115	151
IC116	149
IC117	149
IC118	147
IC119	155

SYMBOL NO.	INDEX NO.
IC120	1
(Socket)	130
IC122	150
IC123	152
IC124	149
IC125	149
IC126	148
IC127	150
IC128	152
IC129	152
IC130	147

SYMBOL NO.	INDEX NO.
IC131	147
IC132	147
IC133	146
IC134	150
IC135	154
IC136	154
IC137	154
IC138	152
IC139	152
IC140	152

JP

SYMBOL NO.	INDEX NO.
JP100	162

OSC

SYMBOL NO.	INDEX NO.
OSC100	157

PC

SYMBOL NO.	INDEX NO.
PC100	141

L

SYMBOL NO.	INDEX NO.
L100	166

Q

SYMBOL NO.	INDEX NO.
Q100	134
Q101	135
Q102	136
Q103	136
Q104	136
Q105	133
Q106	133

RESISTOR

SYMBOL NO.	INDEX NO.
R100	185
R101	172
R102	181
R103	184
R104	175
R105	166
R106	183
R107	181
R108	173
R109	184

SYMBOL NO.	INDEX NO.
R110	181
R111	172
R112	186
R113	184
R114	181
R115	172
R116	186
R117	172
R118	186
R119	158

SYMBOL NO.	INDEX NO.
R120	184
R121	181
R122	172
R123	185
R124	172
R125	182
R126	184
R127	181
R128	172
R129	182

SYMBOL NO.	INDEX NO.
R130	167
R131	169
R132	169
R133	183
R134	181
R135	181
R136	173
R137	181
R138	181
R139	181

SYMBOL NO.	INDEX NO.
R140	180
R141	181
R142	180
R143	174
R144	168
R145	168
R146	168
R147	168
R148	168
R149	168

SYMBOL NO.	INDEX NO.
R150	168
R151	168
R152	181
R153	181
R154	181
R155	181
R156	181
R157	181
R158	167
R159	166

21.MAIN CONTROL BOARD (B468)

RESISTOR

SYMBOL NO.	INDEX NO.	SYMBOL NO.	INDEX NO.	SYMBOL NO.	INDEX NO.	SYMBOL NO.	INDEX NO.	SYMBOL NO.	INDEX NO.	SYMBOL NO.	INDEX NO.	SYMBOL NO.	INDEX NO.
R160	175	R170	168	R180	169	R190	182	R200	168	R210	169	R220	176
R161	169	R171	168	R181	181	R191	168	R201	169	R211	176	R221	178
R162	181	R172	168	R182	178	R192	168	R202	176	R212	176	R222	172
R163	171	R173	168	R183	176	R193	168	R203	176	R213	181	R223	170
R164	167	R174	168	R184	176	R194	174	R204	181	R214	178	R224	172
R165	171	R175	177	R185	178	R195	168	R205	184	R215	176	R225	168
R166	179	R176	184	R186	176	R196	168	R206	181	R216	176	R226	174
R167	174	R177	169	R187	178	R197	168	R207	184	R217	178	R227	181
R168	174	R178	169	R188	186	R198	174	R208	176	R218	176	R228	181
R169	168	R179	169	R189	172	R199	168	----	---	R219	178	R229	181

RESISTOR

SYMBOL NO.	INDEX NO.	SYMBOL NO.	INDEX NO.	SYMBOL NO.	INDEX NO.	SYMBOL NO.	INDEX NO.	SYMBOL NO.	INDEX NO.	SYMBOL NO.	INDEX NO.	SYMBOL NO.	INDEX NO.
R230	184	R240	181	----	---	R260	181	R270	178	R280	176	R290	178
R231	176	R241	181	R251	176	R261	186	R271	172	R281	176	R291	176
R232	181	R242	176	R252	178	R262	170	R272	176	R282	178	R292	178
R233	181	R243	178	R253	176	R263	176	R273	176	R283	178	R293	176
R234	181	R244	176	R254	178	R264	178	R274	176	R284	176	R294	178
R235	181	R245	178	R255	176	R265	176	R275	178	R285	176	R295	176
R236	181	R246	176	R256	178	R266	178	R276	178	R286	176	R296	178
R237	181	R247	178	R257	172	R267	176	R277	178	R287	178	R297	176
R238	181	R248	168	R258	172	R268	178	R278	176	R288	178	R298	178
R239	181	R249	181	R259	184	R269	176	R279	178	R289	178	R299	176

21.MAIN CONTROL BOARD (B468)

RESISTOR

SYMBOL NO.	INDEX NO.
R300	178
R301	176
R302	178
R303	176
R304	178
R305	176
R306	178
R307	176
R308	176
R309	178

SYMBOL NO.	INDEX NO.
R310	178
R311	176
R312	178
R313	176
R314	178
R315	178
R316	178
R317	178
R318	171
----	----

SYMBOL NO.	INDEX NO.
R320	178
R321	178
R322	178
R323	178
R324	176
R325	176
R326	184
R327	167
R328	162
R329	162

SYMBOL NO.	INDEX NO.
R330	162
R331	162
R332	162
R333	162
R334	162
R335	162
R336	162
R337	162
R338	162
R339	162

SYMBOL NO.	INDEX NO.
R340	162

RN

SYMBOL NO.	INDEX NO.
RN100	160
RN101	159
RN102	160
RN103	160
RN104	160
RN105	160
RN106	160
RN107	160
RN108	159
RN109	159

SYMBOL NO.	INDEX NO.
RN110	159
RN111	159
RN112	159

SW

SYMBOL NO.	INDEX NO.
SW100	132

TP

SYMBOL NO.	INDEX NO.
TP100	101
TP101	
TP102	
TP103	101
TP104	101
TP105	101

ZD

SYMBOL NO.	INDEX NO.
ZD100	137
ZD101	137
ZD102	140

21.MAIN CONTROL BOARD (B468)

Index No.	Part No.	Description	Q'ty Per Assembly
*	B468 5120	PCB:Main Control	1
	B468 5117	X/O MB24	
	B468 5113	X/O MB12	
	B468 5200	X/O MB6	
1	B468 5132	EPROM	1
	B468 5129	X/O MB24	
	B468 5127	X/O MB12	
	B468 5123	X/O MB6	

Index No.	Part No.	Description	Q'ty Per Assembly
101	1101 0328	Connector Pin Contact	
102	1102 4201	Connector - 2P	
103	1102 4202	Connector - 3P	
104	1102 4203	CT Header - 4P	
105	1102 4205	CT Header - 6P	
106	1102 4206	Connector - 7P	
107	1102 4207	Connector - 8P	
108	1102 4208	Connector - 9P	
109	1102 4209	CT Header - 10P	
110	1102 4210	Connector - 11P	
111	1102 4212	CT Header - 15P	
112	1102 4497	Connector - 13P	
113	1102 4619	Connector - 2P	
114	1102 4620	CT Header - 3P	
115	1102 4623	CT Connector - 6P	
116	1102 4624	CT Connector - 7P	
117	1102 4626	Connector - 9P	
118	1102 4636	CT Connector	
119	1102 4637	CT Connector - 8P	
120	1102 5007	CT Header - 14P	
121	1102 5301	Connector - 2P	
122	1102 5302	Connector - 3P	
123	1102 6295	Connector - 2P	
124	1102 6301	Connector - 8P	
125	1102 6302	Connector - 9P	
126	1102 6315	Connector - 8P	
127	1102 6316	Connector - 9P	
128	1102 6957	Connector - 14P BLUE	
129	1104 0333	Fuse Holder	
130	1104 0589	DIP Socket - 32P	
131	1107 1030	Fuse - 218005	
132	1204 1422	DIP Switch - 51D-0401	
133	1400 0398	Transistor - 2SC2412K	
134	1400 0711	Transistor - 2SB1241	
135	1400 0747	Transistor - 2SD1863	

Index No.	Part No.	Description	Q'ty Per Assembly
136	1400 0748	Transistor - FMG1A	
137	1402 0557	Diode - HZ24PB	
138	1402 0828	Diode - ERB93-02	
139	1402 1506	Diode - ERA15-02	
140	1402 1507	Diode - UDZS8.2B	
141	1403 0519	Photocoupler - TLP621	
142	1407 1596	TTLIC - SN74LS14NS	
143	1407 2218	TTLIC - SN74LS06NS	
144	1407 2219	IC - TD62003AP	
145	1407 2231	IC - TD62308AF	
146	1407 3519	HCMOSIC - 74HC4040	
147	1407 4726	IC - CXP2006M	
148	1407 4754	IC - HD6413002F16	
149	1407 5387	IC - SN74LV04ANS	
150	1407 5393	IC - SN74LV541ANS	
151	1407 5415	IC - SN74LV32ANS	
152	1407 5744	IC - STK672-330	
153	1408 0827	IC - TA8429H	
154	1408 1200	IC - STK681-050	
155	1408 1223	Ditector - RN5VD42C	
156	1408 1287	IC - SI-8501L	
157	1503 0904	Ceramic Oscilator - 16MHz	
158	1601 5438	Resistor - 1K Ω \pm 5% 1/2W	
159	1601 7751	Resistor - 4.7K Ω \pm 5%	
160	1601 7871	Resistor - 68 Ω \pm 5% 1/16W	
161	1604 4502	Capacitor - 330 μ F \pm 20% 10V	
162	1634 0000	Resistor - 0 Ω 1/16W	
163	1640 5100	Capacitor - 10 μ F+20% 50	
164	1640 5101	Capacitor - 100 μ F \pm 20% 50V	
165	1640 5109	Capacitor - 1 μ F- \pm 20% - 50V	
166	1650 4100	Resistor - 10 Ω \pm 5% 1/10W	
167	1650 4101	Resistor - 100 Ω \pm 5%1/10W	
168	1650 4102	Resistor - 1K Ω \pm 5% 1/10W	
169	1650 4103	Resistor - 10K Ω \pm 5% 1/10W	
170	1650 4112	Chip Resistor - 1.1K Ω \pm 5% 1/10W	

Index No.	Part No.	Description	Q'ty Per Assembly
171	1650 4122	Resistor - 1.2K Ω \pm 5% 1/10W	
172	1650 4153	Resistor - 15K Ω \pm 5% 1/10W	
173	1650 4161	Chip Resistor - 160 Ω \pm 5% 1/10W	
174	1650 4202	Resistor - 2K Ω \pm 5%1/10W	
175	1650 4222	Resistor - 2.2K Ω \pm 5%1/10W	
176	1650 4223	Resistor - 22K Ω \pm 5%1/10W	
177	1650 4330	Chip Resistor - 33 Ω \pm 5% 1/10W	
178	1650 4332	Resistor - 3.3K Ω \pm 5%1/10W	
179	1650 4361	Resistor - 360 Ω \pm 5%1/10W	
180	1650 4362	Resistor - 3.6K Ω \pm 5%1/10W	
181	1650 4472	Resistor - 4.7K Ω \pm 5% 1/10W	
182	1650 4561	Resistor - 560 Ω \pm 5% 1/10W	
183	1650 4562	Resistor - 5.6K Ω \pm 5% 1/10W	
184	1650 4680	Resistor - 68 Ω \pm 5%1/10W	
185	1650 4681	Resistor - 680 Ω \pm 5% 1/10W	
186	1650 4751	Resistor - 750 Ω \pm 5% 1/10W	
187	1660 2101	Capacitor - 100pF - \pm 10% - 50V	
188	1660 2221	Capacitor - 220pF +80-20% 50V	
189	1660 2471	Capacitor - 470pF - \pm 5% - 50V	
190	1660 4102	Capacitor - 1000pF \pm 10% 50V	
191	1660 4103	Capacitor - 10000pF - \pm 10% - 50V	
192	1660 8104	Capacitor - 0.1 μ F+80-20% 25V	

22.MAIN CONTROL BOARD (B469)

CAPACITOR

SYMBOL NO.	INDEX NO.	SYMBOL NO.	INDEX NO.	SYMBOL NO.	INDEX NO.	SYMBOL NO.	INDEX NO.	SYMBOL NO.	INDEX NO.	SYMBOL NO.	INDEX NO.	SYMBOL NO.	INDEX NO.
C100	164	C110	163	C120	165	C130	191	C140	192	C150	191	C160	191
C101	164	C111	164	C121	---	C131	191	C141	191	C151	191	C161	191
C102	164	C112	164	C122	---	C132	191	C142	191	C152	191	C162	191
C103	164	C113	---	C123	191	C133	191	C143	191	C153	191	C163	191
C104	164	C114	---	C124	191	C134	191	C144	191	C154	191	C164	191
C105	164	C115	164	C125	191	C135	191	C145	191	C155	191	C165	191
C106	164	C116	---	C126	191	C136	189	C146	191	C156	191	C166	191
C107	164	C117	---	C127	191	C137	189	C147	191	C157	191	C167	191
C108	---	C118	164	C128	191	C138	191	C148	191	C158	189	C168	191
C109	161	C119	164	C129	191	C139	191	C149	191	C159	190	C169	191

CAPACITOR

SYMBOL NO.	INDEX NO.	SYMBOL NO.	INDEX NO.	SYMBOL NO.	INDEX NO.	SYMBOL NO.	INDEX NO.	SYMBOL NO.	INDEX NO.	SYMBOL NO.	INDEX NO.	SYMBOL NO.	INDEX NO.
C170	191	C180	191	C190	191	C200	191	C210	191	C220	191	C230	191
C171	191	C181	191	C191	191	C201	191	C211	191	C221	191	C231	191
C172	191	C182	191	C192	191	C202	191	C212	191	C222	191	C232	191
C173	191	C183	191	C193	191	C203	191	C213	191	C223	191	---	---
C174	192	C184	191	C194	191	C204	190	C214	191	C224	191	C234	191
C175	190	C185	191	C195	191	C205	191	C215	191	C225	191	C235	191
C176	191	C186	191	C196	191	C206	191	C216	191	C226	191	C236	191
C177	191	C187	191	C197	191	C207	191	C217	191	C227	191	C237	191
C178	191	C188	191	C198	191	C208	191	C218	191	C228	191	C238	191
C179	191	C189	191	C199	191	C209	191	C219	191	C229	191	C239	191

22.MAIN CONTROL BOARD (B469)

CAPACITOR

SYMBOL NO.	INDEX NO.
C240	191
C241	191
C242	191
C243	191
C244	191
C245	191
C246	191
C247	191
C248	191
C249	191

SYMBOL NO.	INDEX NO.
C250	191
C251	191
C252	191
C253	191
C254	191
C255	191
C256	191
C257	191
C258	191
C259	191

SYMBOL NO.	INDEX NO.
C260	191
C261	191
C262	191
C263	191
C264	191
C265	191
C266	191
C267	191
C268	191
C269	191

SYMBOL NO.	INDEX NO.
C270	191
C271	191
C272	191
C273	191
C274	191
C275	191
C276	191
C277	191
C278	187
C279	188

SYMBOL NO.	INDEX NO.
C280	187
C281	189
C282	189
C283	192
C284	187
C285	187
C286	187
C287	187
C288	187
C289	187

SYMBOL NO.	INDEX NO.
C290	187
C291	187
C292	187
---	---
---	---
C295	192

CONNECTOR

SYMBOL NO.	INDEX NO.
CN100	125
CN101	124
CN102	127
CN103	126
CN104	111
CN105	106
CN106	106
CN107	120
CN108	120
CN109	106

CONNECTOR

SYMBOL NO.	INDEX NO.
CN110	106
CN111	119
CN112	116
CN113	106
CN114	---
CN115	---
CN116	---
CN117	104
CN118	102
CN119	102

SYMBOL NO.	INDEX NO.
CN120	118
CN121	108
CN122	---
CN123	---
CN124	108
CN125	112
CN126	109
CN127	105
CN128	115
CN129	102

SYMBOL NO.	INDEX NO.
CN130	107
CN131	105
CN132	105
CN133	111
CN134	121
CN135	---
CN136	121
CN137	121
CN139	123
CN140	---

SYMBOL NO.	INDEX NO.
CN141	103
CN142	104
CN143	---

SYMBOL NO.	INDEX NO.
D100	---
D101	---
D102	---
D103	---
D104	---
D105	138
D106	138
D107	138
D108	138
D109	138

DIODE

SYMBOL NO.	INDEX NO.
D110	139

FUSE

SYMBOL NO.	INDEX NO.
FU100	131
(clip)	129

22.MAIN CONTROL BOARD (B469)

IC

SYMBOL NO.	INDEX NO.
IC100	152
IC101	---
IC102	156
IC103	152
IC104	152
IC105	152
---	---
IC107	152
IC108	149
IC109	152

SYMBOL NO.	INDEX NO.
---	---
IC111	152
IC112	---
IC113	143
IC114	142
IC115	151
IC116	149
IC117	149
IC118	147
IC119	155

SYMBOL NO.	INDEX NO.
IC120	1
(Socket)	130
IC122	150
IC123	152
IC124	149
IC125	149
IC126	148
IC127	150
IC128	152
IC129	---
IC130	147

SYMBOL NO.	INDEX NO.
IC131	147
IC132	147
IC133	146
IC134	150
IC135	154
IC136	---
IC137	---
IC138	---
IC139	152
IC140	152

OSC

SYMBOL NO.	INDEX NO.
OSC100	157

PC

SYMBOL NO.	INDEX NO.
PC100	141

L

SYMBOL NO.	INDEX NO.
L100	157

Q

SYMBOL NO.	INDEX NO.
Q100	134
Q101	135
Q102	136
Q103	---
Q104	---
Q105	133
Q106	133

RESISTOR

SYMBOL NO.	INDEX NO.
R100	185
R101	172
R102	181
R103	184
R104	175
R105	166
R106	183
R107	181
R108	173
R109	184

RESISTOR

SYMBOL NO.	INDEX NO.
R110	181
R111	172
R112	186
R113	184
R114	181
R115	172
R116	186
R117	172
R118	186
R119	158

SYMBOL NO.	INDEX NO.
R120	184
R121	181
R122	172
R123	185
R124	172
R125	182
R126	184
R127	181
R128	172
R129	182

SYMBOL NO.	INDEX NO.
R130	167
R131	169
R132	169
R133	183
R134	181
R135	181
R136	173
R137	181
R138	181
R139	181

SYMBOL NO.	INDEX NO.
R140	180
R141	181
R142	180
R143	174
R144	168
R145	168
R146	168
R147	168
R148	168
R149	168

SYMBOL NO.	INDEX NO.
R150	168
R151	168
R152	181
R153	181
R154	181
R155	181
R156	181
R157	181
R158	167
R159	166

SYMBOL NO.	INDEX NO.
R160	175
R161	169
R162	181
R163	171
R164	167
R165	171
R166	179
R167	174
R168	174
R169	168

SYMBOL NO.	INDEX NO.
R170	168
R171	168
R172	168
R173	168
R174	168
R175	177
R176	184
R177	169
R178	169
R179	169

22.MAIN CONTROL BOARD (B469)

RESISTOR

SYMBOL NO.	INDEX NO.	SYMBOL NO.	INDEX NO.	SYMBOL NO.	INDEX NO.	SYMBOL NO.	INDEX NO.	SYMBOL NO.	INDEX NO.	SYMBOL NO.	INDEX NO.	SYMBOL NO.	INDEX NO.
R180	169	R190	182	R200	168	R210	169	R220	176	R230	184	R240	181
R181	181	R191	168	R201	169	R211	176	R221	178	R231	176	R241	181
R182	178	R192	168	R202	176	R212	176	R222	172	R232	181	R242	176
R183	176	R193	168	R203	176	R213	181	R223	170	R233	181	R243	178
R184	176	R194	174	R204	181	R214	178	R224	172	R234	181	R244	176
R185	178	R195	168	R205	184	R215	176	R225	168	R235	181	R245	178
R186	176	R196	168	R206	181	R216	176	R226	174	R236	181	R246	176
R187	178	R197	168	R207	184	R217	178	R227	181	R237	181	R247	178
R188	186	R198	174	R208	176	R218	176	R228	181	R238	181	R248	168
R189	172	R199	168	---	---	R219	178	R229	181	R239	181	R249	181

RESISTOR

SYMBOL NO.	INDEX NO.	SYMBOL NO.	INDEX NO.	SYMBOL NO.	INDEX NO.	SYMBOL NO.	INDEX NO.	SYMBOL NO.	INDEX NO.	SYMBOL NO.	INDEX NO.	SYMBOL NO.	INDEX NO.
---	---	R260	181	R270	178	R280	176	R290	178	R300	178	R310	178
R251	176	R261	186	R271	172	R281	176	R291	176	R301	176	R311	176
R252	178	R262	170	R272	176	R282	178	R292	178	R302	178	R312	178
R253	176	R263	176	R273	176	R283	178	R293	176	R303	176	R313	176
R254	178	R264	178	R274	176	R284	176	R294	178	R304	178	R314	178
R255	176	R265	176	R275	178	R285	176	R295	176	R305	176	R315	178
R256	178	R266	178	R276	178	R286	176	R296	178	R306	178	R316	178
R257	172	R267	176	R277	178	R287	178	R297	176	R307	176	R317	178
R258	172	R268	178	R278	176	R288	178	R298	178	R308	176	R318	171
R259	184	R269	176	R279	178	R289	178	R299	176	R309	178	---	---

22.MAIN CONTROL BOARD (B469)

RESISTOR

SYMBOL NO.	INDEX NO.
R320	178
R321	178
R322	178
R323	178
R324	176
R325	176
R326	184
R327	167
R328	162
R329	162

SYMBOL NO.	INDEX NO.
R330	162
R331	162
R332	162
R333	162
R334	162
R335	162
R336	162
R337	162
R338	162
R339	162

SYMBOL NO.	INDEX NO.
R340	162

RN

SYMBOL NO.	INDEX NO.
R301	176
R302	178
R303	176
R304	178
R305	176
R306	178
R307	176
R308	176
R309	178
R310	178

SYMBOL NO.	INDEX NO.
R311	176
R312	178
R313	176

SW

SYMBOL NO.	INDEX NO.
R314	178

TP

SYMBOL NO.	INDEX NO.
R315	178
R316	178
R317	178
R318	171
---	---
R320	178

ZD

SYMBOL NO.	INDEX NO.
R321	178
R322	178
R323	178

22.MAIN CONTROL BOARD (B469)

Index No.	Part No.	Description	Q'ty Per Assembly
*	B469 5120	PCB:Main Control	1
	B469 5117	X/O MB24	
	B469 5113	X/O MB12	
	B469 5200	X/O MB6	
1	B468 5132	EPROM	1
	B468 5129	X/O MB24	
	B468 5127	X/O MB12	
	B468 5123	X/O MB6	

Index No.	Part No.	Description	Q'ty Per Assembly
101	1101 0328	Connector Pin Contact	
102	1102 4201	Connector - 2P	
103	1102 4202	Connector - 3P	
104	1102 4203	CT Header - 4P	
105	1102 4205	CT Header - 6P	
106	1102 4206	Connector - 7P	
107	1102 4207	Connector - 8P	
108	1102 4208	Connector - 9P	
109	1102 4209	CT Header - 10P	
110	1102 4210	Connector - 11P	
111	1102 4212	CT Header - 15P	
112	1102 4497	Connector - 13P	
113	1102 4624	CT Connector - 7P	
114	1102 4636	CT Connector	
115	1102 4637	CT Connector - 8P	
116	1102 5007	CT Header - 14P	
117	1102 5301	Connector - 2P	
118	1102 6295	Connector - 2P	
119	1102 6301	Connector - 8P	
120	1102 6302	Connector - 9P	
121	1102 6315	Connector - 8P	
122	1102 6316	Connector - 9P	
123	1104 0333	Fuse Holder	
124	1104 0589	DIP Socket - 32P	
125	1107 1030	Fuse - 218005	
126	1204 1422	DIP Switch - 51D-0401	
127	1400 0398	Transistor - 2SC2412K	
128	1400 0711	Transistor - 2SB1241	
129	1400 0747	Transistor - 2SD1863	
130	1400 0748	Transistor - FMG1A	
131	1402 0557	Diode - HZ24PB	
132	1402 0828	Diode - ERB93-02	
133	1402 1506	Diode - ERA15-02	
134	1402 1507	Diode - UDZS8.2B	
135	1403 0519	Photocoupler - TLP621	

Index No.	Part No.	Description	Q'ty Per Assembly
136	1407 1596	TTLIC - SN74LS14NS	
137	1407 2218	TTLIC - SN74LS06NS	
138	1407 2219	IC - TD62003AP	
139	1407 2231	IC - TD62308AF	
140	1407 3519	HCMOSIC - 74HC4040	
141	1407 4726	IC - CXP2006M	
142	1407 4754	IC - HD6413002F16	
143	1407 5387	IC - SN74LV04ANS	
144	1407 5393	IC - SN74LV541ANS	
145	1407 5415	IC - SN74LV32ANS	
146	1407 5744	IC - STK672-330	
147	1408 0827	IC - TA8429H	
148	1408 1200	IC - STK681-050	
149	1408 1223	Ditector - RN5VD42C	
150	1408 1287	IC - SI-8501L	
151	1503 0904	Ceramic Oscilator - 16MHz	
152	1601 5438	Resistor - 1K Ω \pm 5% 1/2W	
153	1601 7751	Resistor - 4.7K Ω \pm 5%	
154	1601 7871	Resistor - 68 Ω \pm 5% 1/16W	
155	1604 4502	Capacitor - 330 μ F \pm 20% 10V	
156	1634 0000	Resistor - 0 Ω 1/16W	
157	1640 5100	Capacitor - 10 μ F+20% 50	
158	1640 5101	Capacitor - 100 μ F \pm 20% 50V	
159	1640 5109	Capacitor - 1 μ F- \pm 20% - 50V	
160	1650 4100	Resistor - 10 Ω \pm 5% 1/10W	
161	1650 4101	Resistor - 100 Ω \pm 5%1/10W	
162	1650 4102	Resistor - 1K Ω \pm 5% 1/10W	
163	1650 4103	Resistor - 10K Ω \pm 5% 1/10W	
164	1650 4112	Chip Resistor - 1.1K Ω \pm 5% 1/10W	
165	1650 4122	Resistor - 1.2K Ω \pm 5% 1/10W	
166	1650 4153	Resistor - 15K Ω \pm 5% 1/10W	
167	1650 4161	Chip Resistor - 160 Ω \pm 5% 1/10W	
168	1650 4202	Resistor - 2K Ω \pm 5%1/10W	
169	1650 4222	Resistor - 2.2K Ω \pm 5%1/10W	
170	1650 4223	Resistor - 22K Ω \pm 5%1/10W	

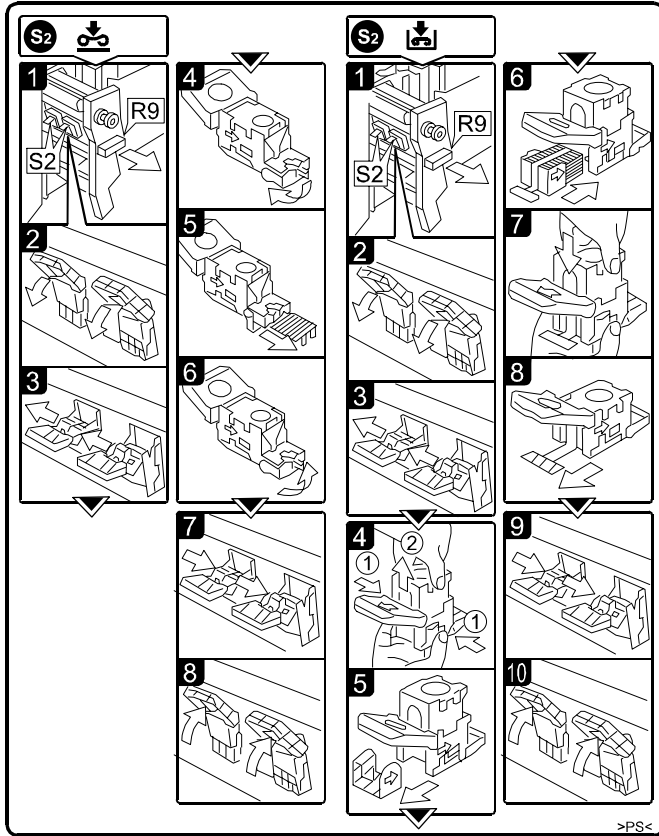
Index No.	Part No.	Description	Q'ty Per Assembly
171	1650 4330	Chip Resistor - 33 Ω \pm 5% 1/10W	
172	1650 4332	Resistor - 3.3K Ω \pm 5%1/10W	
173	1650 4361	Resistor - 360 Ω \pm 5%1/10W	
174	1650 4362	Resistor - 3.6K Ω \pm 5%1/10W	
175	1650 4472	Resistor - 4.7K Ω \pm 5% 1/10W	
176	1650 4561	Resistor - 560 Ω \pm 5% 1/10W	
177	1650 4562	Resistor - 5.6K Ω \pm 5% 1/10W	
178	1650 4680	Resistor - 68 Ω \pm 5%1/10W	
179	1650 4681	Resistor - 680 Ω \pm 5% 1/10W	
180	1650 4751	Resistor - 750 Ω \pm 5% 1/10W	
181	1660 2101	Capacitor - 100pF - \pm 10% - 50V	
182	1660 2221	Capacitor - 220pF +80-20% 50V	
183	1660 2471	Capacitor - 470pF - \pm 5% - 50V	
184	1660 4102	Capacitor - 1000pF \pm 10% 50V	
185	1660 4103	Capacitor - 10000pF - \pm 10% - 50V	
186	1660 8104	Capacitor - 0.1 μ F+80-20% 25V	

23.DECAL AND DOCUMENTS (B468/B469)

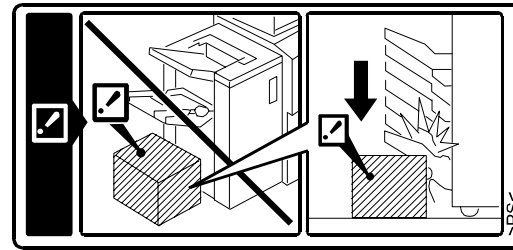
<p>1</p>	<p>2</p>	<p>3</p>	<p>10</p>	<p>11</p>	
<p>4</p>	<p>5</p>	<p>6</p>	<p>12</p>		
<p>7</p>	<p>8</p>	<p>12</p>			
<p>9</p>					<p>12</p>

23.DECAL AND DOCUMENTS (B468/B469)

13



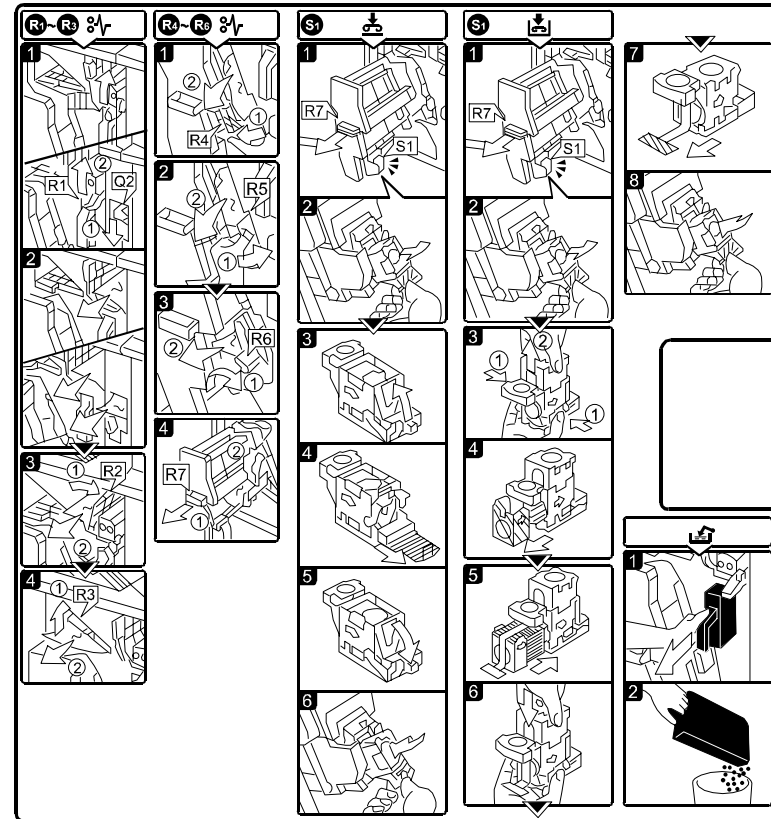
14



15



16



23.DECAL AND DOCUMENTS (B468/B469)

Index No.	Part No.	Description	Q'ty Per Assembly
1	A697 5500	Decal - Replacement R4	1
2	B302 7701	Decal - R1	1
3	B302 7702	Decal - R2	1
4	B302 7703	Decal - R3	1
5	B302 7706	Decal - R6	1
6	B312 5700	Decal - R5	1
7	B468 7801	Decal - R7	1
8	B468 7802	Decal - R8	1
9	B468 7803	Decal - R9	1
9	B469 7813	Decal - R7	1
10	B468 7804	Decal - S2	1
11	B468 7805	Decal - S1	1
12	B468 7806	Decal - Misfeed Removal	1
13	B468 7807	Decal - Staple Exchange	1
14	B468 7812	Caution Decal - Tray Fall	1
15	B468 7813	Decal - Tray Rise	1
16	B469 7808	Decal - Misfeed Removal	1

Index No.	Part No.	Description	Q'ty Per Assembly

Parts Index

Parts Index

Part No.	Description	Page and Index No.
B468 1214	Toner Hopper Film	45 - 12
B468 1255	Safety Switch Bracket	45 - 9
B468 1256	Safety Switch Lever	45 - 8
B468 1257	Safety Switch Cover	45 - 11
B468 1332	Exit Sensor Bracket	19 - 31
B468 1412	Slide Rail Bracket	45 - 4
B468 1611	Upper Cover	7 - 4
B468 1612	Angle - Upper Cover	9 - 2
B468 1613	Upper Stay	43 - 6
B468 1616	Small Upper Cover	7 - 3
B468 1618	Connector Cover	7 - 2
B468 1621	O/O MB31	7 - 13
B468 1622	X/X MB7	7 - 15
B468 1623	X/X MB7	7 - 11
B468 1625	Front Cover	7 - 13
B468 1626	Stopper - Door Lower	7 - 18
B468 1627	O/O MB31	7 - 15
B468 1628	Upper Stopper	7 - 11
B468 1629	Front Cover Grip	7 - 15
B468 1631	Rear Cover (B468)	7 - 1
B468 1641	Left Upper Cover	33 - 1
B468 1651	Left Front Cover	7 - 20
B468 1661	Upper Cover - Shift Tray Front	33 - 25
B468 1666	Upper Cover - Shift Tray Rear	33 - 13
B468 1671	Lower Front Cover	35 - 25
B468 1676	Lower Rear Cover	35 - 18
B468 1681	Inner Cover	7 - 19
B468 1711	Upper Hinge	7 - 12
B468 1721	Lower Hinge	7 - 21
B468 1731	Rear Cover Bracket	43 - 7
B468 2112	Upper Guide Plate	15 - 11
B468 2116	X/O MB25	11 - 10
B468 2117	Cushion - Gate Pawl	11 - 20
B468 2118	Lower Guide Plate	17 - 23
B468 2120	Lower Guide Plate	11 - 10

Part No.	Description	Page and Index No.
B468 2121	Film - Proof Tray	15 - 10
B468 2122	Cushion ^ Gate Pawl	9 - 21
B468 2127	Guide Plate	13 - 21
B468 2128	Film - Exit Guide	13 - 19
B468 2131	Stapler Guide Plate	19 - 28
B468 2134	Stapler Guide	19 - 32
B468 2136	Exit Guide Plate	37 - 34
B468 2138	Fix Stand - Reverse Switch	37 - 28
B468 2139	Spring Plate - Lever Switch	37 - 30
B468 2145	Knob - Release Lever	15 - 20
B468 2152	X/X MB7	9 - 8
B468 2153	Upper Guide Plate	9 - 8
B468 2162	Guide Plate	17 - 9
B468 2172	X/X MB18	11 - 18
B468 2174	Guide Plate	11 - 18
B468 2175	Supporting Plate MB18 ADDED	11 - 21
B468 2187	Middle Guide - Stapler Tray	19 - 19
B468 2188	Both End Guide - Stapler Tray	19 - 20
B468 2196	Upper Guide Plate	9 - 12
B468 2221	Lower Exhaust Roller	19 - 1
B468 2222	Exit Roller	19 - 6
B468 2224	Flange - Brush Roller	19 - 2
B468 2231	Transport Roller	15 - 17
B468 2231	Transport Roller	13 - 18
B468 2231	Transport Roller	17 - 22
B468 2241	Exit Roller - Proof Tray	15 - 7
B468 2255	Timing Pulley - T20	13 - 26
B468 2255	Timing Pulley - T20	15 - 26
B468 2255	Timing Pulley - T20	9 - 6
B468 2255	Timing Pulley - T20	19 - 16
B468 2255	Timing Pulley - T20	17 - 1
B468 2312	Exit Roller Shaft	37 - 16
B468 2320	Exit Roller	37 - 17
B468 2331	Front Arm	37 - 25
B468 2332	Rear Arm	37 - 18

Part No.	Description	Page and Index No.
B468 2341	Pulley - Exit Roller	37 - 32
B468 2344	Tension Spring - Reverse Roller	37 - 27
B468 2415	Arm - Roller Slide	13 - 24
B468 2418	Motor Bracket	39 - 4
B468 2421	X/O MB20	39 - 4
B468 2425	Drive Pulley	39 - 1
B468 2429	Shift Roller Motor Heat Sink MB20 ADDED	39 - 35
B468 2515	Spring - Gather Roller	19 - 10
B468 2551	DC Solenoid Bracket	41 - 18
B468 2555	DC Solenoid - Gather Roller	41 - 19
B468 2611	Timing Belt - 219P3M4	41 - 6
B468 2611	Timing Belt - 219P3M4	39 - 30
B468 2621	Timing Belt - 681P3M4	41 - 11
B468 2631	Timing Belt - 186P2M4	41 - 1
B468 2631	Timing Belt - 186P2M4	39 - 8
B468 2662	Timing Belt - 552P3M4	41 - 8
B468 2691	Stepper Motor Bracket	41 - 5
B468 2691	Stepper Motor Bracket	39 - 7
B468 2711	Gate Pawl	15 - 14
B468 2721	Lower Gate Pawl	11 - 8
B468 2751	DC Solenoid Bracket	41 - 16
B468 2755	DC Solenoid	41 - 7
B468 2761	Bracket - Junction Gate Solenoid -	41 - 9
B468 2771	Bracket - Junction Gate Solenoid -	41 - 17
B468 2775	DC Solenoid - Junction Gate	41 - 21
B468 2811	Exit Guide Plate	11 - 5
B468 2815	Discharge Brush	11 - 2
B468 2816	Exit Mylar	11 - 1
B468 2831	Driven Shaft - Exit Roller	11 - 7
B468 2832	Driven Exit Roller	11 - 6
B468 2835	Mylar - Exit Roller Shaft MB19 ADDED	11 - 22
B468 2848	Guide Plate Stay	13 - 8
B468 2851	X/O MB20	13 - 8
B468 2861	Worm Gear - T40P2M	13 - 16
B468 2862	Guide Plate Cam	13 - 13

Part No.	Description	Page and Index No.
B468 2865	Worm Wheel - Z20	13 - 14
B468 2871	Sensor Bracket	13 - 6
B468 2881	Guide Plate Link	13 - 10
B468 2882	Link Bushing	13 - 11
B468 2883	Compression Spring - Guide Plate	13 - 12
B468 2891	Switch Bracket	13 - 3
B468 2894	Bracket - Micro Switch Swivle	13 - 33
B468 2896	Tension Spring - 5N	13 - 34
B468 2897	Heat Sink - Guide Plate MB20 ADDED	13 - 36
B468 2899	Plate - Heat Sink MB20 ADDED	13 - 37
B468 2899	Plate - Heat Sink MB20 ADDED	39 - 36
B468 2911	Bracket - Photointerruptor	15 - 4
B468 3116	Upper Bracket - Paper Height Sensor	33 - 4
B468 3121	Front Holder	33 - 28
B468 3125	Rear Holder	33 - 15
B468 3131	Rear Stay - Timing Belt	33 - 19
B468 3132	Front Stay - Timing Belt	33 - 27
B468 3133	Upper Stay	33 - 33
B468 3135	Stopper - Timing Belt	33 - 26
B468 3137	Shaft - End Fence	33 - 22
B468 3138	Gear - End Fence	33 - 16
B468 3139	Release Lever	33 - 30
B468 3141	Bracket - Paper Height Sensor	33 - 8
B468 3142	Shaft - Spring Clutch	33 - 20
B468 3143	Cushion - Solenoid Spring Clutch (B468)	33 - 37
B468 3145	Tension Spring (B468)	33 - 31
B468 3146	Tension Spring (B469)	33 - 31
B468 3146	X/O MB2	33 - 31
B468 3147	Support Plate	33 - 29
B468 3148	Upper Plate	33 - 35
B468 3149	Spring Clutch - End Fence (B469)	33 - 21
B468 3149	X/O MB3	33 - 21
B468 3151	Sensor Lever	33 - 23
B468 3152	Lever Stay	33 - 9
B468 3153	Torsion Spring	33 - 34

Part No.	Description	Page and Index No.
B468 3161	Upper End Fence	33 - 3
B468 3168	Rack	33 - 6
B468 3175	Cover - Paper Height Sensor	33 - 24
B468 3181	Stay	35 - 19
B468 3181	Stay	33 - 14
B468 3187	Bracket - Hp Sensor	43 - 3
B468 3192	Lower Bracket	43 - 10
B468 3196	Spring Clutch - End Fence (B468)	33 - 21
B468 3211	Shift Tray	7 - 22
B468 3215	Support Tray	7 - 24
B468 3218	Slide Tray	7 - 23
B468 3221	Lower Holder - Front	35 - 23
B468 3223	Lower Holder - Rear	35 - 20
B468 3226	Lower Stay	35 - 22
B468 3231	X/O MB9	35 - 21
B468 3232	X/O MB9	35 - 24
B468 3233	Front Stopper	35 - 21
B468 3234	Rear Stopper	35 - 24
B468 3242	Arm Stay	35 - 26
B468 3245	Arm	35 - 15
B468 3251	Arm Plate	35 - 29
B468 3252	Roller - M6	35 - 28
B468 3261	Tension Spring	35 - 27
B468 3272	Sensor Bracket	43 - 1
B468 3311	Support Tray	45 - 1
B468 3411	End Fence	37 - 1
B468 3421	Small End Fence	37 - 22
B468 3431	Middle Sensor Bracket	37 - 13
B468 3511	Drive Shaft	35 - 32
B468 3515	Long Spacer - MM10	35 - 3
B468 3516	Short Spacer - MM10	35 - 33
B468 3521	Lower Motor Bracket	39 - 14
B468 3526	Encoder Bracket	39 - 9
B468 3528	Shaft - Pulley T48P2M	39 - 10
B468 3529	Timing Belt - 164P2M4	39 - 11

Part No.	Description	Page and Index No.
B468 3531	Tightner	35 - 14
B468 3541	Tightener Bracket	35 - 7
B468 3551	Timing Belt - 1615P5M6	35 - 12
B468 3561	Lower Stay	39 - 20
B468 3611	Upper Shaft	35 - 31
B468 3613	Timing Pulley - T30P3M	35 - 10
B468 3614	Gear - Z49	35 - 8
B468 3615	Pulley - M9	35 - 1
B468 3622	Upper Motor Bracket	39 - 27
B468 3623	Upper Stud	39 - 26
B468 3631	Rear Tightener	35 - 9
B468 3641	Front Tightener	35 - 16
B468 3651	Timing Belt - 804P3M6	35 - 11
B468 3712	End Fence	37 - 24
B468 3716	Torsion Spring	37 - 23
B468 3811	Pressure Plate Bracket	37 - 12
B468 3815	Stopper - Pressure Plate	37 - 36
B468 3825	Pressuer Drive Sub-Unit Bracket	37 - 6
B468 3831	X/O MB33	37 - 6
B468 3835	Pressure Plate Cam	37 - 3
B468 3841	Pressure Plate	37 - 2
B468 3845	Slide Shaft	37 - 10
B468 3848	Shaft	37 - 8
B468 3849	Tension Spring	37 - 5
B468 3851	End Fence Cover	37 - 14
B468 4111	Stapler Tray	23 - 11
B468 4115	Guide Film (B468)	21 - 18
B468 4116	Middle Stapler Film	21 - 22
B468 4117	Shaft - M6x24	23 - 10
B468 4118	Upper Myler - Stapler	21 - 19
B468 4119	Front Myler - Stapler	21 - 30
B468 4122	Stapler Stay	23 - 5
B468 4126	Entrance Myler	25 - 5
B468 4127	Small Stay	25 - 9
B468 4128	Stapler Guide	25 - 8

Part No.	Description	Page and Index No.
B468 4129	O/O MB29	25 - 10
B468 4136	Middle Myler	25 - 4
B468 4139	Jogger Fence Myler	25 - 7
B468 4142	Exit Belt	23 - 8
B468 4144	X/O MB10	23 - 7
B468 4146	Exit Belt Guide	23 - 1
B468 4147	Exit Belt Pawl	23 - 7
B468 4149	Stapler Tray Bracket	21 - 25
B468 4152	Standard Fence	21 - 20
B468 4154	Fence Slider	21 - 28
B468 4156	Standard Fence	21 - 27
B468 4157	Guide Myler	21 - 26
B468 4158	Guide Rod	21 - 24
B468 4161	Drive Shaft	23 - 12
B468 4172	X/O MB30	23 - 3
B468 4173	Bracket:Sensor:Exit Belt	23 - 3
B468 4211	X/X MB4	25 - 1
B468 4212	X/X MB4	25 - 1
B468 4215	Front Side Plate (B468)	25 - 1
B468 4216	Front Side Plate (B469)	25 - 1
B468 4221	X/X MB4	25 - 15
B468 4222	X/X MB4	25 - 15
B468 4225	Rear Side Plate (B468)	25 - 15
B468 4226	Rear Side Plate (B469)	25 - 15
B468 4231	Slide Rail Stay	25 - 2
B468 4312	Rear Jogger Fence	21 - 21
B468 4322	Front Jogger Fence	21 - 3
B468 4325	Long Shaft	21 - 5
B468 4326	Short Shaft	21 - 15
B468 4327	Bushing	21 - 2
B468 4328	Jogger Guide	21 - 6
B468 4331	Rear Myler	21 - 23
B468 4332	Front Myler	21 - 4
B468 4333	Tension Spring - 10.6N	21 - 11
B468 4335	X/X MB28	21 - 1

Part No.	Description	Page and Index No.
B468 4338	Support Plate - Rear Jogger Fence MB28 ADDED	21 - 31
B468 4339	Support Plate - Front Jogger Fence	21 - 1
B468 4341	Motor Bracket	23 - 14
B468 4371	Timing Belt - 900P2M4	21 - 8
B468 4381	Stopper - Timing Belt	21 - 7
B468 4511	Fix Bracket	27 - 16
B468 4513	Stapler Guide	27 - 17
B468 4516	Inner Cover	27 - 21
B468 4521	Turn Bracket	27 - 15
B468 4531	X/O MB32	27 - 29
B468 4532	Stapler Bracket Ass'Y	27 - 29
B468 4538	Standard Fence Plate	27 - 30
B468 4546	Hp Sensor Bracket	27 - 33
B468 4551	Stapler Stay	27 - 3
B468 4555	X/X MB4	27 - 13
B468 4556	Stapler Guide Rod	27 - 13
B468 4611	Drive Roller	31 - 19
B468 4615	Drive Roller	31 - 16
B468 4617	Roller Bracket	31 - 3
B468 4621	Roller Arm	31 - 8
B468 4622	Short Roller Arm	31 - 7
B468 4623	X/O MB11	31 - 9
B468 4624	X/O MB11	31 - 6
B468 4627	Gear - 18Z	31 - 6
B468 4628	Drive Gear	31 - 5
B468 4629	Roller Shaft	31 - 9
B468 4634	Bracket	31 - 11
B468 4635	X/O MB11	31 - 11
B468 4640	Stepper Motor	31 - 10
B468 4649	Pulley - 20T/20Z	31 - 13
B468 4651	X/O MB11	31 - 5
B468 4652	X/O MB11	31 - 13
B468 4653	Timing Belt - 215P5M6	31 - 15
B468 4654	Timing Belt - 255P5M6	31 - 12
B468 4659	Idler Pulley - T1226P5M	31 - 14

Part No.	Description	Page and Index No.
B468 4662	Guide Plate	31 - 18
B468 4663	Guide Film	31 - 20
B468 4666	Roller Guide Plate	31 - 4
B468 4671	Knob	29 - 3
B468 4691	Tension Spring	31 - 2
B468 4711	X/O MB16	29 - 12
B468 4715	Guide Shaft	29 - 13
B468 4716	Bracket:Paper Crimp:Move:Ass'y	29 - 12
B468 4731	Gear:Paper Crimp:Drive:Rear (B468)	29 - 25
B468 4732	Shielding Plate Bracket MB21 DELETED	29 - 20
B468 4741	Gear:Paper Crimp:Drive:Front (B468)	29 - 24
B468 4742	Drive Gear MB21 DELETED	29 - 19
B468 4743	Link Shaft MB21 DELETED	29 - 21
B468 4744	Drive Shaft	29 - 22
B468 4745	Middle Gear	29 - 17
B468 4751	Stepper Motor Bracket	29 - 15
B468 4757	Gear - Z14	29 - 14
B468 4761	Drive Link	29 - 10
B468 4766	Tightener	27 - 5
B468 4771	Slide Guide	29 - 11
B468 4781	Sensor Bracket	25 - 13
B468 4785	Knob	29 - 2
B468 4791	Guide Plate	29 - 23
B468 4792	Myler Guide	29 - 4
B468 4811	Motor Bracket	23 - 17
B468 4816	Timing Belt - 310P2M4	23 - 16
B468 4911	Front Inner Cover	29 - 9
B468 5111	X/O MB6	43 - 12
B468 5113	X/O MB12	43 - 12
B468 5113	X/O MB12	51 - *
B468 5117	X/O MB24	51 - *
B468 5117	X/O MB24	43 - 12
B468 5120	PCB:Main Control (B468)	43 - 12
B468 5120	PCB:Main Control	51 - *
B468 5123	X/O MB6	51 - 1

Part No.	Description	Page and Index No.
B468 5123	X/O MB6	57 - 1
B468 5127	X/O MB12	57 - 1
B468 5127	X/O MB12	51 - 1
B468 5129	X/O MB24	51 - 1
B468 5129	X/O MB24	57 - 1
B468 5132	EPROM	51 - 1
B468 5132	EPROM	57 - 1
B468 5200	X/O MB6	51 - *
B468 5410	X/O MB20	43 - 13
B468 5420	X/O MB20	43 - 9
B468 5421	Lower Harness	37 - 15
B468 5422	X/O MB20	13 - 22
B468 5422	X/O MB20	11 - 4
B468 5423	X/O MB20	13 - 4
B468 5430	Motor Harness - Stapler Unit (B468)	43 - 16
B468 5440	Sensor Harness - Stapler Unit (B468)	43 - 17
B468 5441	Relay Harness - Stapler	25 - 11
B468 5442	Relay Harness - Stapler Cartridge	25 - 3
B468 5443	Relay Harness - Stapler Unit	21 - 17
B468 5444	Relay Harness - Stapler Tray	27 - 1
B468 5450	O/O MB5	27 - 23
B468 5455	Stapler Harness	27 - 23
B468 5460	X/O MB20	43 - 15
B468 5470	X/O MB20	33 - 12
B468 5473	X/O Mb20	37 - 33
B468 5474	X/O MB20	35 - 17
B468 5476	Switch Harness	37 - 7
B468 5477	Relay Harness	33 - 11
B468 5478	X/O MB20	43 - 20
B468 5481	Interface Harness	43 - 19
B468 5490	X/O MB20	43 - 14
B468 5495	Relay Harness - Paper Exit	15 - 6
B468 5510	Main Motor Harness	43 - 13
B468 5520	Main Sensor Harness (B468)	43 - 9
B468 5522	Exit Harness	13 - 22

Part No.	Description	Page and Index No.
B468 5522	Exit Harness	11 - 4
B468 5523	Guide Harness	13 - 4
B468 5560	Harness - Punch Unit	43 - 15
B468 5570	Upper Tray Harness	33 - 12
B468 5574	Lower Tray Harness	35 - 17
B468 5578	Upper Motor Harness (B468)	43 - 20
B468 5583	Lower Motor Harness	37 - 33
B468 5590	Interface Harness - Option	43 - 14
B468 5750	Stepper Motor - DC 12.4W	39 - 6
B468 5750	Stepper Motor	45 - 10
B468 5750	Stepper Motor	41 - 4
B468 5755	Stepper Motor - DC 12.4W	39 - 24
B468 5760	Stepper Motor	23 - 18
B468 5770	Stepper Motor	29 - 16
B468 5780	Stepper Motor - DC 20.4W	27 - 26
B468 5780	Stepper Motor	13 - 7
B468 5780	Stepper Motor - DC 20.4W	39 - 5
B468 5991	Harness Bracket	43 - 5
B468 5992	O/O MB29	43 - 11
B468 5993	Harness Bracket - Shift Tray	43 - 4
B468 5994	Interface Bracket	43 - 18
B468 5995	Connector Bracket	39 - 12
B468 5998	Connector Cover	39 - 33
B468 6200	Stapler	25 - 6
B468 6411	Adjusting Pin - Booklet Stapler	25 - 19
B468 6511	Spacer Cushion - 20mm	7 - 10
B468 7801	Decal - R7	59 - 7
B468 7801	Decal - R7	29 - 6
B468 7802	Decal - R8	59 - 8
B468 7802	Decal - R8	29 - 5
B468 7803	Decal - R9	59 - 9
B468 7803	Decal - R9 (B468)	29 - 8
B468 7804	Decal - S2	29 - 7
B468 7804	Decal - S2	59 - 10
B468 7805	Decal - S1	59 - 11

Part No.	Description	Page and Index No.
B468 7805	Decal - S1	27 - 22
B468 7806	Decal - Misfeed Removal (B468)	7 - 14
B468 7806	Decal - Misfeed Removal	59 - 12
B468 7807	Decal - Staple Exchange	7 - 16
B468 7807	Decal - Staple Exchange	59 - 13
B468 7812	Caution Decal - Tray Fall	59 - 14
B468 7812	Caution Decal - Tray Fall	7 - 5
B468 7813	Decal - Tray Rise	59 - 15
B468 7813	Decal - Tray Rise	7 - 25
B469 1412	Slide Rail Bracket	45 - 2
B469 1631	Rear Cover (B469)	7 - 1
B469 1641	Left Upper Cover	33 - 1
B469 1642	Myler - Left Upper Cover	33 - 2
B469 1732	Cover Bracket	39 - 32
B469 2891	Actuator - Paper Height Sensor	13 - 32
B469 2892	Bracket - Paper Height Sensor	13 - 29
B469 2894	Paper Sensor Bracket - Surface	13 - 35
B469 2895	Feeler Torsion Spring	13 - 31
B469 4115	Guide Myler (B469)	21 - 18
B469 4133	Guide Plate - Stapler Tray	25 - 17
B469 4134	Guide Myler - Stapler Tray	25 - 18
B469 5111	X/O MB6	43 - 12
B469 5113	X/O MB12	57 - *
B469 5113	X/O MB12	43 - 12
B469 5117	X/O MB24	57 - *
B469 5117	X/O MB24	43 - 12
B469 5120	PCB:Main Control (B469)	43 - 12
B469 5120	PCB:Main Control	57 - *
B469 5200	X/O MB6	57 - *
B469 5420	Main Sensor Harness (B469)	43 - 9
B469 5424	Relay Harness	13 - 30
B469 5430	Motor Harness - Stapler Unit (B469)	43 - 16
B469 5440	Sensor Harness - Stapler Unit (B469)	43 - 17
B469 5472	Switch Harness (B469)	43 - 20
B469 7808	Decal - Misfeed Removal (B469)	7 - 14

Part No.	Description	Page and Index No.
B469 7808	Decal - Misfeed Removal	59 - 16
B469 7813	Decal - R7	59 - 9
B469 7813	Decal - R7 (B469)	29 - 8

Part No.	Description	Page and Index No.
A232 3562	Ball Bearing - 6x12x4mm	39 - 13
A300 2132	Guide Roller	27 - 34
A300 2736	Worm Gear	39 - 16
A300 3151	Support Bracket	25 - 12
A300 3759	Spring	21 - 29
A300 3812	Spacer - 6x22x1.5	27 - 11
A300 3851	Positioning Roller Bracket	19 - 18
A300 3865	Release Spring	41 - 20
A353 2763	Washer - M5	23 - 6
A353 3113	Pressure Spring	39 - 19
A353 3172	Actuator Bracket	13 - 28
A376 1343	Original Pressure Roller	27 - 25
A379 2115	Reverse Roller	37 - 26
A458 2251	Cushion - Bin Solenoid Lever	17 - 19
A458 2251	Cushion - Bin Solenoid Lever	15 - 16
A458 2251	Cushion - Bin Solenoid Lever	11 - 9
A566 3741	Worm Pulley	39 - 25
A566 3751	Gear - 18Z	39 - 28
A566 3752	Gear - 25Z	39 - 29
A566 3753	Pressure Spring	39 - 31
A608 2813	Positioning Roller Arm	19 - 9
A608 2816	Positioning Roller Shaft	19 - 15
A612 2435	Support Plate	17 - 6
A666 1315	Slide Rail	45 - 5
A666 3180	Timing Pulley - Z32	23 - 9
A666 3270	Pulley - Z40	23 - 15
A680 1181	Magnetic Catch	15 - 22
A681 2416	Antistatic Brush	31 - 17
A697 1117	Base Plate Cap	45 - 6
A697 1120	Slide Rail	45 - 3
A697 1125	Stepped Screw - Lever	31 - 1
A697 1125	Stepped Screw - Lever	29 - 1
A697 1125	Stepped Screw - Lever	15 - 28
A697 1125	Stepped Screw - Lever	9 - 18
A697 1125	Stepped Screw - Lever	41 - 13

Part No.	Description	Page and Index No.
A697 1125	Stepped Screw - Lever	27 - 7
A697 1127	X/O MB26	9 - 17
A697 1128	Joint Lever	9 - 17
A697 1144	Rear Joint Bracket	7 - 8
A697 1151	Hopper Bracket	9 - 15
A697 1153	Front Joint Bracket	7 - 9
A697 1518	X/O MB14	21 - 11
A697 1518	Spring - Oil Blade	41 - 12
A697 1518	Spring - Oil Blade	27 - 6
A697 1605	Spacer - 6x10x15.2mm	15 - 27
A697 1605	Spacer - 6x10x15.2mm	17 - 2
A697 1605	Spacer - 6x10x15.2mm	13 - 25
A697 1606	Spacer - 6x12x2.7mm	15 - 24
A697 2131	Antistatic Brush	23 - 4
A697 2131	Antistatic Brush	19 - 27
A697 2132	Joint - Brush Roller	19 - 4
A697 2138	Brush Roller	19 - 5
A697 2140	Upper Entrance Guide	15 - 21
A697 2144	Pressure Spring	15 - 23
A697 2145	Entrance Sensor Bracket	9 - 11
A697 2150	Lower Entrance Guide	9 - 10
A697 2187	Pressure Spring - 14.1mm	15 - 12
A697 2187	Pressure Spring - 14.1MM X/O MB22 ADDED	17 - 26
A697 2210	Lower Guide - Proof Tray	15 - 2
A697 2260	Pulley - 17T	19 - 17
A697 3135	Gear - 18Z	39 - 17
A697 3140	Gear - 30Z	39 - 18
A697 3145	Gear - 36Z/18Z	39 - 23
A697 3170	Gear - 42Z	35 - 4
A697 3180	Pulley - 18T	35 - 5
A697 3185	Pulley - 18T	35 - 13
A697 3215	Pulley - 19T	27 - 36
A697 3220	Timing Belt - B40S2M112	27 - 37
A697 4140	Sector Gear - 144Z	27 - 24
A697 4170	Pulley - 32T	21 - 9

Part No.	Description	Page and Index No.
A697 5500	Decal - Replacement R4	17 - 11
A697 5500	Decal - Replacement R4	59 - 1
A859 3420	Middle Driven Roller	9 - 7
A859 3425	Spring Plate	9 - 5
B302 1163	Grounding Plate	7 - 7
B302 1164	Grounding Plate Bracket	7 - 6
B302 2216	Exit Guide - Upper Exit Guide	15 - 8
B302 2317	Timing Pulley - 20Z	37 - 29
B302 2318	Timing Pulley - 28Z	37 - 20
B302 2319	Stopper Ring	37 - 21
B302 2413	Brush Roller	19 - 3
B302 2451	Lower Guide Plate	19 - 23
B302 2459	Spring - 5x39mm	19 - 24
B302 4256	Timing Pulley - 20Z/40Z	27 - 10
B302 4259	Timing Belt - 195PM6	27 - 9
B302 4292	Belt Holder	27 - 32
B302 4293	Belt Holder Bracket	27 - 31
B302 4756	Timing Belt - 753P3M6	27 - 12
B302 7701	Decal - R1	15 - 18
B302 7701	Decal - R1	59 - 2
B302 7702	Decal - R2	9 - 3
B302 7702	Decal - R2	59 - 3
B302 7703	Decal - R3	59 - 4
B302 7703	Decal - R3	11 - 11
B302 7706	Decal - R6	59 - 5
B302 7706	Decal - R6	19 - 25
B312 1521	Timing Pulley - 20T	17 - 3
B312 1524	Motor Bracket	41 - 2
B312 1600	Tightener	41 - 14
B312 1610	Tightener	41 - 15
B312 1615	Tension Roller	41 - 22
B312 2100	Pre-stack Gate	17 - 18
B312 2166	Vertical Guide	17 - 20
B312 2171	Middle Guide - Vertical Transport	17 - 15
B312 2172	Driven Roller	17 - 14

Part No.	Description	Page and Index No.
B312 2173	Support Plate	17 - 17
B312 2174	Pressure Spring - 12mm	17 - 12
B312 2176	Transport Roller	17 - 24
B312 4140	Stepping Motor - 8.0W	23 - 13
B312 5700	Decal - R5	59 - 6
B312 5700	Decal - R5	17 - 16
B352 1135	Bracket - Harness Clamp	43 - 8
B352 2500	Support Guide - Punch Unit	9 - 19
B352 2610	Shift Transport Roller	17 - 21
B352 2610	Shift Transport Roller	9 - 14
B352 4261	Tightener - Exit Belt	21 - 14
B352 4318	Bushing - Lower Slider	27 - 28
B352 4379	Lower Guide Plate	27 - 18
B352 7507	Punch Screw	9 - 20
B408 1413	Coupling Stay	15 - 15
B408 1413	Coupling Stay	19 - 29
B408 1413	Coupling Stay	9 - 16
B408 2173	Slide Roller	11 - 15
B408 2174	Spring	11 - 14
B408 2175	Bushing - Roller Slide	11 - 13
B408 2191	Guide Plate - Connecting Lower	9 - 13
B408 2311	Slide Roller	13 - 17
B408 2312	Bushing - Roller Slide	13 - 1
B408 2314	X/O MB17	13 - 24
B408 4223	Belt Tensioner - Stapler	21 - 10
B408 5520	X/O MB20	39 - 5
B408 5520	X/O MB20	13 - 7
B408 5520	X/O MB20	27 - 26
B408 5530	Stepper Motor - 11W	37 - 4
B478 2116	Reverse Roller - Stapler Tray	19 - 13
B674 4129	Cover:Stay:Stapler:Upper	25 - 10
B674 5991	Bracket:Stay:PCB	43 - 11
C101 2360	Snap Ring	17 - 5
C203 5135	Bushing - 10x14x5.9	35 - 2
G012 1531	Magnet	11 - 16

Part No.	Description	Page and Index No.
G012 1531	Magnet	15 - 19
G020 2630	Magnetic Catch	7 - 17
G020 4429	Exit Sensor	23 - 2
G518 1237	Sheet - Shielding Plate	33 - 36
G565 4377	Upper Entrance Guide	27 - 19
H521 1311	Busing	39 - 21

Part No.	Description	Page and Index No.
AA04 3054	Timing Belt - 142 P2M4	13 - 15
AA04 3054	Timing Belt - 142 P2M4	39 - 2
AA04 3181	Timing Belt - B40S2M80	37 - 19
AA06 0092	Release Spring	41 - 10
AA06 3529	Pressure Spring - 14.5mm	17 - 7
AA06 3529	Pressure Spring - 14.5mm	11 - 12
AA06 3529	Pressure Spring - 14.5mm	19 - 22
AA08 0238	Bushing - M6	17 - 25
AA08 0242	Bushing - 4mm	17 - 13
AA10 0006	Nut - M3.6	39 - 34
AA12 0099	Antistatic Brush - 320mm	19 - 26
AA12 0099	Antistatic Brush - 320mm	15 - 9
AA13 2024	Spacer - M6	27 - 14
AA14 3482	Screw - M3 MB28 ADDED	21 - 32
AA16 1099	Lever Cushion	19 - 8
AB01 3709	X/O MB8	39 - 16
AB03 0278	Idler - 20Z	27 - 8
AB03 0374	Timing Pulley - 20Z	15 - 25
AB03 0374	Timing Pulley - 20Z	13 - 23
AF02 2147	Driven Roller	19 - 21
AF02 2147	Driven Roller	15 - 13
AF02 2147	Driven Roller	17 - 8
AF02 2147	Driven Roller	11 - 19
AG07 0014	Magnet Catch	11 - 17
AG07 0014	Magnet Catch	9 - 4
AG07 1010	Magnet Catch	17 - 10
AG07 1010	Magnet Catch	25 - 16
AH01 2019	Caster	45 - 7
AJ01 1018	Stapler	27 - 20
AW01 0057	Pegistration Sensor	21 - 13
AW01 0057	Pegistration Sensor	11 - 3
AW01 0057	Pegistration Sensor	13 - 20
AW01 0088	Sensor GP2A200LCS - Assembly	33 - 18
AW01 0088	Sensor GP2A200LCS - Assembly	35 - 30
AW01 0089	Photosensor - GP2A28C	9 - 9

Part No.	Description	Page and Index No.
AW02 0049	Photointerruptor - OS - 580213-703	19 - 30
AW02 0049	Photointerruptor - OS - 580213-703	15 - 5
AW02 0079	Photointerruptor	15 - 3
AW02 0086	Photointerruptor	21 - 16
AW02 0086	Photointerruptor	43 - 2
AW02 0086	Photointerruptor	13 - 5
AW02 0086	Photointerruptor	39 - 3
AW02 0086	Photointerruptor	25 - 14
AW02 0086	Photointerruptor	37 - 9
AW02 0086	Photointerruptor	33 - 10
AW02 0086	Photointerruptor	27 - 4
AW02 0129	Overflow Photointerrupter	37 - 11
AW02 0129	Overflow Photointerrupter	33 - 5
AX04 0121	Stepping Motor - DC 6.5W	41 - 3
AX05 0148	Stepper Motor	27 - 2
AX05 0183	DC Motor - 8.9W	39 - 22
AX06 0234	DC Motor - 25.1W	39 - 15
AX11 0066	DC Solenoid - 24V 5.76W	33 - 32

Part No.	Description	Page and Index No.
0242 0035B	Pan Head Screw - M2x3.5	23 -104
0313 0030B	Philips Pan Head Screw - M3x3	41 -110
0313 0040B	Philips Pan Head Screw - M3x4	15 -102
0313 0040B	Philips Pan Head Screw - M3x4	33 -102
0313 0040B	Philips Pan Head Screw - M3x4	41 -103
0313 0050B	Philips Pan Head Screw - M3x5	39 -107
0313 0060B	Philips Pan Head Screw - M3x6	33 -103
0313 0060B	Philips Pan Head Screw - M3x6	35 -102
0313 0100B	Philips Pan Head Screw - M3x10	9 -102
0313 0120B	Philips Pan Head Screw - M3x12	37 -109
0313 0120B	Philips Pan Head Screw - M3x12	39 -108
0313 0120B	Philips Pan Head Screw - M3x12	13 -105
0450 3008B	Tapping Screw - M3x8	21 -101
0450 3008B	Tapping Screw - M3x8	25 -101
0450 3008B	Tapping Screw - M3x8	35 -103
0450 3008B	Tapping Screw - M3x8	19 -102
0450 3008B	Tapping Screw - M3x8	17 -102
0450 3008B	Tapping Screw - M3x8	7 -102
0450 3008B	Tapping Screw - M3x8	29 -102
0450 4008B	Tapping Screw - 4X8 MB18 ADDED	11 -104
0451 3006B	Tapping Screw - M3x6	23 -103
0451 3006B	Tapping Screw - M3x6	19 -101
0451 3006B	Tapping Screw - M3x6	25 -102
0451 3006B	Tapping Screw - M3x6	7 -101
0451 3006B	Tapping Screw - M3x6	33 -108
0451 3006B	Tapping Screw - M3x6	29 -101
0451 3006B	Tapping Screw - M3x6	31 -105
0451 3006B	Tapping Screw - M3x6	35 -105
0451 3006B	Tapping Screw - M3x6	37 -103
0451 3006B	Tapping Screw - M3x6	45 -101
0451 3006B	Tapping Screw - M3x6	43 -101
0451 3006B	Tapping Screw - M3x6	39 -101
0451 3006B	Tapping Screw - M3x6	41 -104
0451 3006B	Tapping Screw - M3x6	27 -103
0451 3006B	Tapping Screw - M3x6	9 -101

Part No.	Description	Page and Index No.
0451 3006B	Tapping Screw - M3x6	13 -102
0451 3006B	Tapping Screw - M3x6	17 -101
0451 3006B	Tapping Screw - M3x6	11 -101
0451 3006B	Tapping Screw - M3x6	15 -101
0451 3008B	Tapping Screw - M3x8	41 -105
0451 3008H	Tapping Screw - M3x8	33 -101
0451 3008H	Tapping Screw - M3x8	7 -103
0451 3008H	Tapping Screw - M3x8	35 -101
0451 4006B	Tapping Screw - 4x6	39 -114
0451 4008B	Philips Tapping Screw - M4x8	31 -104
0451 4008H	Tapping Screw - 4x8	7 -104
0451 4014B	Tapping Screw - M4x14	7 -105
0452 3006B	Tapping Screw - M3x6	27 -102
0453 3006B	Tapping Screw - M3x6	41 -106
0453 3006B	Tapping Screw - M3x6	45 -104
0574 0040E	Hexagon Headless Set Screw - M4x4	39 -104
0623 0100E	Spring Pin - 3x10mm	33 -104
0623 0120E	Spring Pin - M3x12	19 -107
0632 0120G	Parallel Pin - 2x12	35 -109
0633 0120G	Parallel Pin - 3x12	37 -104
0634 0200G	Parallel Pin - 4x20	35 -107
0711 0020B	Nut Plate,switch(100 Pcs/1 Set)	23 -105
0720 0030B	Retaining Ring - M3	37 -108
0720 0040B	Retaining Ring - M4	19 -104
0720 0040B	Retaining Ring - M4	11 -103
0720 0040B	Retaining Ring - M4	39 -109
0720 0040B	Retaining Ring - M4	33 -105
0720 0040B	Retaining Ring - M4	17 -103
0720 0040B	Retaining Ring - M4	29 -103
0720 0040B	Retaining Ring - M4	13 -103
0720 0040B	Retaining Ring - M4	31 -103
0720 0040B	Retaining Ring - M4	21 -102
0720 0040B	Retaining Ring - M4	27 -104
0720 0040B	Retaining Ring - M4	35 -110
0720 0040B	Retaining Ring - M4	37 -106

Part No.	Description	Page and Index No.
0720 0040B	Retaining Ring - M4	9 -106
0720 0040B	Retaining Ring - M4	23 -101
0720 0060B	Retaining Ring - M6	27 -106
0720 0060B	Retaining Ring - M6	33 -106
0720 0060B	Retaining Ring - M6	37 -105
0720 0060B	Retaining Ring - M6	29 -105
0720 0060B	Retaining Ring - M6	31 -102
0720 0060B	Retaining Ring - M6	39 -105
0720 0060B	Retaining Ring - M6	35 -108
0741 3506	Ball Bearing - 6x12x4 Mm	9 -107
0741 3506	Ball Bearing - 6x12x4 Mm	17 -104
0741 3506	Ball Bearing - 6x12x4 mm	13 -104
0741 3506	Ball Bearing - 6x12x4 Mm	19 -105
0741 3506	Ball Bearing - 6x12x4 Mm	15 -103
0741 3808	Ball Bearing - 8x16x5mm	31 -101
0802 5276	Tapping Screw With Washer - M3x6	35 -104
0802 5276	Tapping Screw With Washer - M3x6	9 -105
0802 5276	Tapping Screw With Washer - M3x6	33 -109
0802 5277	Tapping Screw	45 -102
0804 6075	Hexagonal Bolt - M3x8	21 -103
0804 6075	Hexagonal Bolt - M3x8	25 -103
0805 0088	Retaining Ring - M6	19 -106
0805 0088	Retaining Ring - M6	35 -111
0805 0089	Retaining Ring - M4	19 -103
0805 0089	Retaining Ring - M4	15 -106
0805 0089	Retaining Ring - M4	9 -104
0805 0089	Retaining Ring - M4	17 -105
0805 0089	Retaining Ring - M4	11 -102
0805 3383	Bushing - M5	39 -110
0805 3385	Bushing - 6mm	23 -106
0807 4118	Flat Washer	39 -111
0807 5056	Washer - 8.1mm	39 -106
0950 3005B	Philips Screw With Spring Washer - MB15 ADDED	23 -108
0950 3005B	Philips Screw With Spring Washer - MB15 ADDED	27 -108
0950 3006B	Sem.s Screw - M3x6 MB1 ADDED	45 -108

Part No.	Description	Page and Index No.
1101 0328	Connector Pin Contact	51 -101
1101 0328	Connector Pin Contact	57 -101
1102 4201	Connector - 2P	57 -102
1102 4201	Connector - 2P	51 -102
1102 4202	Connector - 3P	57 -103
1102 4202	Connector - 3P	51 -103
1102 4203	CT Header - 4P	57 -104
1102 4203	CT Header - 4P	51 -104
1102 4205	CT Header - 6P	51 -105
1102 4205	CT Header - 6P	57 -105
1102 4206	Connector - 7P	51 -106
1102 4206	Connector - 7P	57 -106
1102 4207	Connector - 8P	51 -107
1102 4207	Connector - 8P	57 -107
1102 4208	Connector - 9P	51 -108
1102 4208	Connector - 9P	57 -108
1102 4209	CT Header - 10P	57 -109
1102 4209	CT Header - 10P	51 -109
1102 4210	Connector - 11P	57 -110
1102 4210	Connector - 11P	51 -110
1102 4212	CT Header - 15P	57 -111
1102 4212	CT Header - 15P	51 -111
1102 4497	Connector - 13P	57 -112
1102 4497	Connector - 13P	51 -112
1102 4619	Connector - 2P	51 -113
1102 4620	CT Header - 3P	51 -114
1102 4623	CT Connector - 6P	51 -115
1102 4624	CT Connector - 7P	57 -113
1102 4624	CT Connector - 7P	51 -116
1102 4626	Connector - 9P	51 -117
1102 4636	CT Connector	57 -114
1102 4636	CT Connector	51 -118
1102 4637	CT Connector - 8P	57 -115
1102 4637	CT Connector - 8P	51 -119
1102 5007	CT Header - 14P	57 -116

Part No.	Description	Page and Index No.
1102 5007	CT Header - 14P	51 -120
1102 5301	Connector - 2P	51 -121
1102 5301	Connector - 2P	57 -117
1102 5302	Connector - 3P	51 -122
1102 6295	Connector - 2P	57 -118
1102 6295	Connector - 2P	51 -123
1102 6301	Connector - 8P	57 -119
1102 6301	Connector - 8P	51 -124
1102 6302	Connector - 9P	57 -120
1102 6302	Connector - 9P	51 -125
1102 6315	Connector - 8P	57 -121
1102 6315	Connector - 8P	51 -126
1102 6316	Connector - 9P	51 -127
1102 6316	Connector - 9P	57 -122
1102 6957	Connector - 14P BLUE	51 -128
1102 8534	Connector - QR/P17-14S-B	39 -113
1104 0333	Fuse Holder	51 -129
1104 0333	Fuse Holder	57 -123
1104 0589	DIP Socket - 32P	57 -124
1104 0589	DIP Socket - 32P	51 -130
1105 0010	Nylon Clamp - 6N MB32 ADDED	27 -110
1105 0109	Cord Keep	33 -112
1105 0231	Clamp	41 -109
1105 0328	Harness Clamp - ES-0505	15 -104
1105 0328	Harness Clamp - ES-0505	41 -102
1105 0328	Harness Clamp - ES-0505	29 -104
1105 0328	Harness Clamp - ES-0505	33 -111
1105 0334	Edge - 17	41 -101
1105 0348	Clamp	13 -107
1105 0487	Harness Clamp	37 -107
1105 0487	Harness Clamp	23 -102
1105 0487	Harness Clamp	27 -101
1105 0487	X/O Mb20	13 -107
1105 0487	Harness Clamp	33 -107
1105 0487	Harness Clamp	39 -102

Part No.	Description	Page and Index No.
1105 0487	Harness Clamp	35 -106
1105 0487	Harness Clamp	45 -107
1105 0487	Harness Clamp	43 -105
1105 0487	Harness Clamp	25 -104
1105 0488	Harness Clamp	41 -107
1105 0488	Harness Clamp	43 -103
1105 0488	Harness Clamp	25 -105
1105 0488	Harness Clamp	45 -106
1105 0489	Harness Clamp - LWS 1316	25 -107
1105 0489	Harness Clamp - LWS 1316	45 -105
1105 0511	Harness Clamp - LWS-0306ZC	41 -108
1105 0511	Harness Clamp - LWS-0306ZC	23 -107
1105 0511	Harness Clamp - LWS-0306ZC	19 -108
1105 0511	Harness Clamp - LWS-0306ZC	15 -105
1105 0511	Harness Clamp - LWS-0306ZC	27 -105
1105 0511	Harness Clamp - LWS-0306ZC	13 -101
1105 0511	Harness Clamp - LWS-0306ZC	9 -103
1105 0511	Harness Clamp - LWS-0306ZC	39 -103
1105 0511	Harness Clamp - LWS-0306ZC	37 -102
1105 0511	Harness Clamp - LWS-0306ZC	33 -110
1105 0511	Harness Clamp - LWS-0306ZC	43 -102
1105 0514	Edge Saddle - EDS-0607I	25 -106
1105 0516	Clamp MB32 ADDED	27 -109
1105 0516	Clamp MB20 ADDED	43 -106
1106 0289	Bushing - SR-5N-1	43 -104
1107 1030	Fuse - 218005	57 -125
1107 1030	Fuse - 218005	51 -131
1204 1422	DIP Switch - 51D-0401	57 -126
1204 1422	DIP Switch - 51D-0401	51 -132
1204 2233	Microswitch - AH715254N	39 -112
1204 2233	Microswitch - AH715254N	37 -110
1204 2233	Microswitch - AH715254N	13 -106
1204 2384	Interlock Switch	45 -103
1204 2544	Switch - DE2L-BJ23	37 -101
1400 0398	Transistor - 2SC2412K	57 -127

Part No.	Description	Page and Index No.
1400 0398	Transistor - 2SC2412K	51 -133
1400 0711	Transistor - 2SB1241	51 -134
1400 0711	Transistor - 2SB1241	57 -128
1400 0747	Transistor - 2SD1863	51 -135
1400 0747	Transistor - 2SD1863	57 -129
1400 0748	Transistor - FMG1A	51 -136
1400 0748	Transistor - FMG1A	57 -130
1402 0557	Diode - HZ24PB	51 -137
1402 0557	Diode - HZ24PB	57 -131
1402 0828	Diode - ERB93-02	51 -138
1402 0828	Diode - ERB93-02	57 -132
1402 1506	Diode - ERA15-02	57 -133
1402 1506	Diode - ERA15-02	51 -139
1402 1507	Diode - UDZS8.2B	57 -134
1402 1507	Diode - UDZS8.2B	51 -140
1403 0519	Photocoupler - TLP621	51 -141
1403 0519	Photocoupler - TLP621	57 -135
1407 1596	TTLIC - SN74LS14NS	51 -142
1407 1596	TTLIC - SN74LS14NS	57 -136
1407 2218	TTLIC - SN74LS06NS	51 -143
1407 2218	TTLIC - SN74LS06NS	57 -137
1407 2219	IC - TD62003AP	51 -144
1407 2219	IC - TD62003AP	57 -138
1407 2231	IC - TD62308AF	51 -145
1407 2231	IC - TD62308AF	57 -139
1407 3519	HCMOSIC - 74HC4040	57 -140
1407 3519	HCMOSIC - 74HC4040	51 -146
1407 4726	IC - CXP2006M	51 -147
1407 4726	IC - CXP2006M	57 -141
1407 4754	IC - HD6413002F16	51 -148
1407 4754	IC - HD6413002F16	57 -142
1407 5387	IC - SN74LV04ANS	51 -149
1407 5387	IC - SN74LV04ANS	57 -143
1407 5393	IC - SN74LV541ANS	57 -144
1407 5393	IC - SN74LV541ANS	51 -150

Part No.	Description	Page and Index No.
1407 5415	IC - SN74LV32ANS	57 -145
1407 5415	IC - SN74LV32ANS	51 -151
1407 5744	IC - STK672-330	51 -152
1407 5744	IC - STK672-330	57 -146
1408 0827	IC - TA8429H	57 -147
1408 0827	IC - TA8429H	51 -153
1408 1200	IC - STK681-050	57 -148
1408 1200	IC - STK681-050	51 -154
1408 1223	Ditector - RN5VD42C	57 -149
1408 1223	Ditector - RN5VD42C	51 -155
1408 1287	IC - SI-8501L	51 -156
1408 1287	IC - SI-8501L	57 -150
1503 0904	Ceramic Oscilator - 16MHz	57 -151
1503 0904	Ceramic Oscilator - 16MHz	51 -157
1601 5438	Resistor - 1K Ω \pm 5% 1/2W	57 -152
1601 5438	Resistor - 1K Ω \pm 5% 1/2W	51 -158
1601 7751	Resistor - 4.7K Ω \pm 5%	57 -153
1601 7751	Resistor - 4.7K Ω \pm 5%	51 -159
1601 7871	Resistor - 68 Ω \pm 5% 1/16W	57 -154
1601 7871	Resistor - 68 Ω \pm 5% 1/16W	51 -160
1604 4502	Capacitor - 330 μ F \pm 20% 10V	57 -155
1604 4502	Capacitor - 330 μ F \pm 20% 10V	51 -161
1607 0623	Ferrite Core - TFC-16-8-13 MB23 ADDED	13 -109
1607 0623	Ferrite Core - TFC-16-8-13	27 -107
1634 0000	Resistor - 0 Ω 1/16W	57 -156
1634 0000	Resistor - 0 Ω 1/16W	51 -162
1640 5100	Capacitor - 10 μ F +20% 50	57 -157
1640 5100	Capacitor - 10 μ F +20% 50	51 -163
1640 5101	Capacitor - 100 μ F \pm 20% 50V	57 -158
1640 5101	Capacitor - 100 μ F \pm 20% 50V	51 -164
1640 5109	Capacitor - 1 μ F - \pm 20% - 50V	51 -165
1640 5109	Capacitor - 1 μ F - \pm 20% - 50V	57 -159
1650 4100	Resistor - 10 Ω \pm 5% 1/10W	57 -160
1650 4100	Resistor - 10 Ω \pm 5% 1/10W	51 -166
1650 4101	Resistor - 100 Ω \pm 5% 1/10W	57 -161

Part No.	Description	Page and Index No.
1650 4101	Resistor - 100Ω±5%1/10W	51 -167
1650 4102	Resistor - 1KΩ ±5% 1/10W	57 -162
1650 4102	Resistor - 1KΩ ±5% 1/10W	51 -168
1650 4103	Resistor - 10KΩ ±5% 1/10W	57 -163
1650 4103	Resistor - 10KΩ ±5% 1/10W	51 -169
1650 4112	Chip Resistor - 1.1KΩ ±5% 1/10W	51 -170
1650 4112	Chip Resistor - 1.1KΩ ±5% 1/10W	57 -164
1650 4122	Resistor - 1.2KΩ ±5% 1/10W	57 -165
1650 4122	Resistor - 1.2KΩ ±5% 1/10W	51 -171
1650 4153	Resistor - 15K Ω ±5% 1/10W	57 -166
1650 4153	Resistor - 15K Ω ±5% 1/10W	51 -172
1650 4161	Chip Resistor - 160Ω ±5% 1/10W	57 -167
1650 4161	Chip Resistor - 160Ω ±5% 1/10W	51 -173
1650 4202	Resistor - 2KΩ±5%1/10W	51 -174
1650 4202	Resistor - 2KΩ±5%1/10W	57 -168
1650 4222	Resistor - 2.2KΩ±5%1/10W	51 -175
1650 4222	Resistor - 2.2KΩ±5%1/10W	57 -169
1650 4223	Resistor - 22KΩ±5%1/10W	51 -176
1650 4223	Resistor - 22KΩ±5%1/10W	57 -170
1650 4330	Chip Resistor - 33Ω ±5% 1/10W	57 -171
1650 4330	Chip Resistor - 33Ω ±5% 1/10W	51 -177
1650 4332	Resistor - 3.3KΩ±5%1/10W	57 -172
1650 4332	Resistor - 3.3KΩ±5%1/10W	51 -178
1650 4361	Resistor - 360Ω±5%1/10W	57 -173
1650 4361	Resistor - 360Ω±5%1/10W	51 -179
1650 4362	Resistor - 3.6KΩ±5%1/10W	57 -174
1650 4362	Resistor - 3.6KΩ±5%1/10W	51 -180
1650 4472	Resistor - 4.7KΩ ±5% 1/10W	57 -175
1650 4472	Resistor - 4.7KΩ ±5% 1/10W	51 -181
1650 4561	Resistor - 560Ω ±5% 1/10W	51 -182
1650 4561	Resistor - 560Ω ±5% 1/10W	57 -176
1650 4562	Resistor - 5.6KΩ ±5% 1/10W	51 -183
1650 4562	Resistor - 5.6KΩ ±5% 1/10W	57 -177
1650 4680	Resistor - 68Ω±5%1/10W	57 -178
1650 4680	Resistor - 68Ω±5%1/10W	51 -184

Part No.	Description	Page and Index No.
1650 4681	Resistor - 680Ω ±5% 1/10W	51 -185
1650 4681	Resistor - 680Ω ±5% 1/10W	57 -179
1650 4751	Resistor - 750Ω ±5% 1/10W	51 -186
1650 4751	Resistor - 750Ω ±5% 1/10W	57 -180
1660 2101	Capacitor - 100pF - ±10% - 50V	51 -187
1660 2101	Capacitor - 100pF - ±10% - 50V	57 -181
1660 2221	Capacitor - 220pF +80-20% 50V	57 -182
1660 2221	Capacitor - 220pF +80-20% 50V	51 -188
1660 2471	Capacitor - 470pF - ±5% - 50V	51 -189
1660 2471	Capacitor - 470pF - ±5% - 50V	57 -183
1660 4102	Capacitor - 1000pF ±10% 50V	51 -190
1660 4102	Capacitor - 1000pF ±10% 50V	57 -184
1660 4103	Capacitor - 10000pF - ±10% - 50V	57 -185
1660 4103	Capacitor - 10000pF - ±10% - 50V	51 -191
1660 8104	Capacitor - 0.1μF +80-20% 25V	57 -186
1660 8104	Capacitor - 0.1μF +80-20% 25V	51 -192

Part No.	Description	Page and Index No.
5053 0223	Bushing - 8mm	35 - 6
5053 0223	Bushing - 8mm	29 - 18
5053 0223	Bushing - 8mm	27 - 27
5053 0447	Bushing - 6mm	27 - 35
5053 0447	Bushing - 6mm	13 - 2
5053 0447	Bushing - 6mm	37 - 31
5053 0447	Bushing - 6mm	15 - 1
5053 0447	Bushing - 6mm	17 - 4
5053 0447	Bushing - 6mm	19 - 7
5053 0447	Bushing - 6mm	33 - 17
5053 0447	Bushing - 6mm	9 - 1
5447 2681	Snap Ring	37 - 35
5447 2681	Snap Ring	19 - 14
5447 2681	Snap Ring	21 - 12
5447 2681	Snap Ring	13 - 9
5875 2088	Shoulder Screw - M4	33 - 7
5875 2088	Shoulder Screw - M4	13 - 27
5919 2127	Positioning Roller Pulley	19 - 11
5919 2132	Positioning Roller Belt	19 - 12

Part No.	Description	Page and Index No.